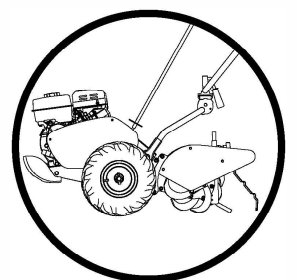




EN Operating manual  
DE Benutzerhandbuch  
FR Manuel d'utilisation

M3200060401-20

ES Manual de uso  
IT Istruzioni per l'uso  
NL Gebruikshandleiding



**TR348**



# TR 348

**EN** **User manual** *(Translation of the original manual)*  
**MOTOR HOE WITH DRIVE WHEELS**  
 Read the instructions in the user manual.  
Become familiar with the operation and controls of the machine.

**DE** **Benutzerhandbuch** *(Übersetzung der Originalbetriebsanleitung)*  
**TRIEBHACKEN**  
 Die Anweisungen im Benutzerhandbuch durchlesen.  
Sich mit den Funktionen und Bedienelementen der Maschine vertraut machen.

**FR** **Manuel d'utilisation** *(Notice originale)*  
**FRAISE À ROUES MOTRICES**  
 Lire les instructions du manuel utilisateur.  
Se familiariser avec le fonctionnement et les commandes de la machine.

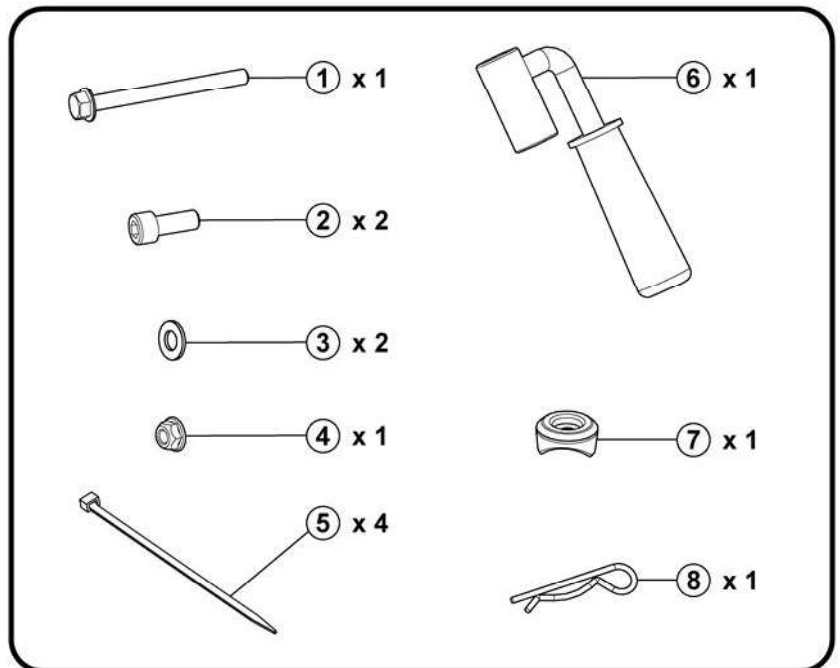
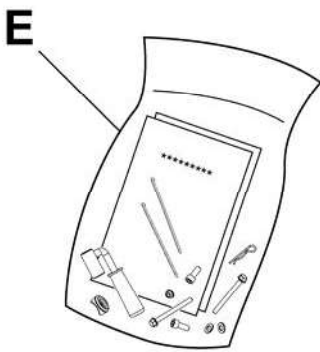
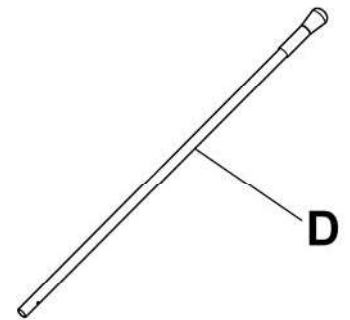
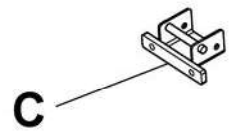
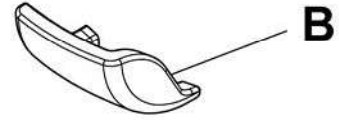
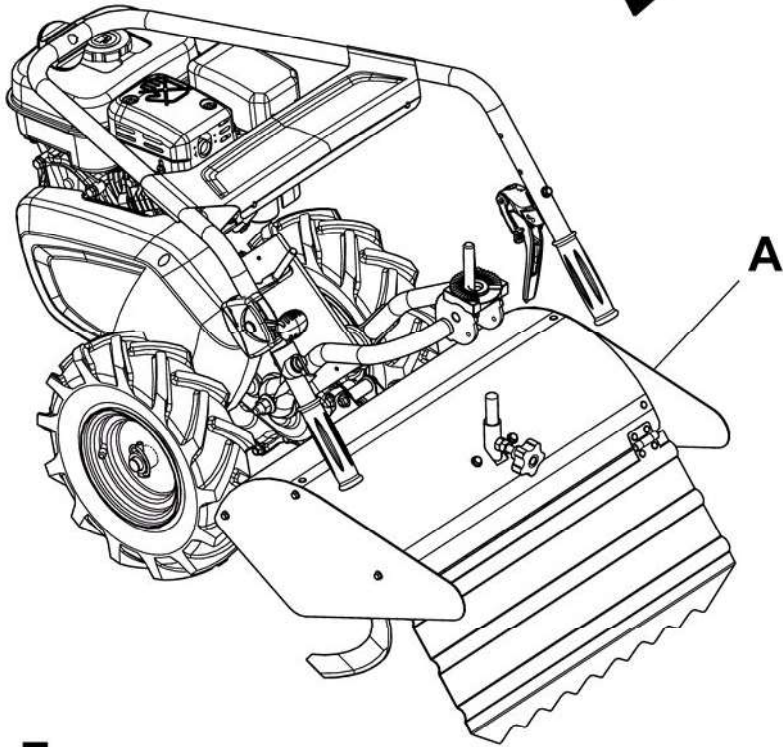
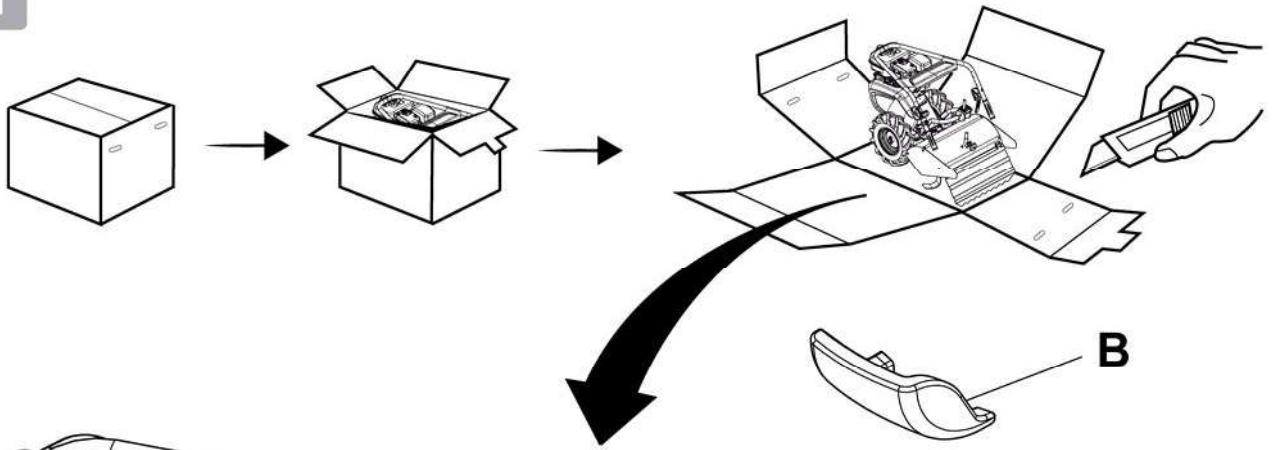
**ES** **Manual de uso** *(Traducción del manual original)*  
**MOTOAZADA CON RUEDAS MOTRICES**  
 Leer las instrucciones del manual del usuario.  
Familiarizarse con el funcionamiento y los mandos de la máquina.

**IT** **Manuale di istruzioni** *(Traduzione delle istruzioni originali)*  
**MOTOZAPPA CON RUOTE MOTRICI**  
 Leggere le istruzioni contenute nel manuale per l'utente.  
Informarsi sul funzionamento e sui comandi della macchina.

**NL** **Gebruikshandleiding** *(Vertaling van de originele handleiding)*  
**MOTORHAKFREES MET AANGEDREVEN WIELEN**  
 Lees de instructies van de gebruikershandleiding.  
Maak u vertrouwd met de werking en de bedieningselementen van de machine.

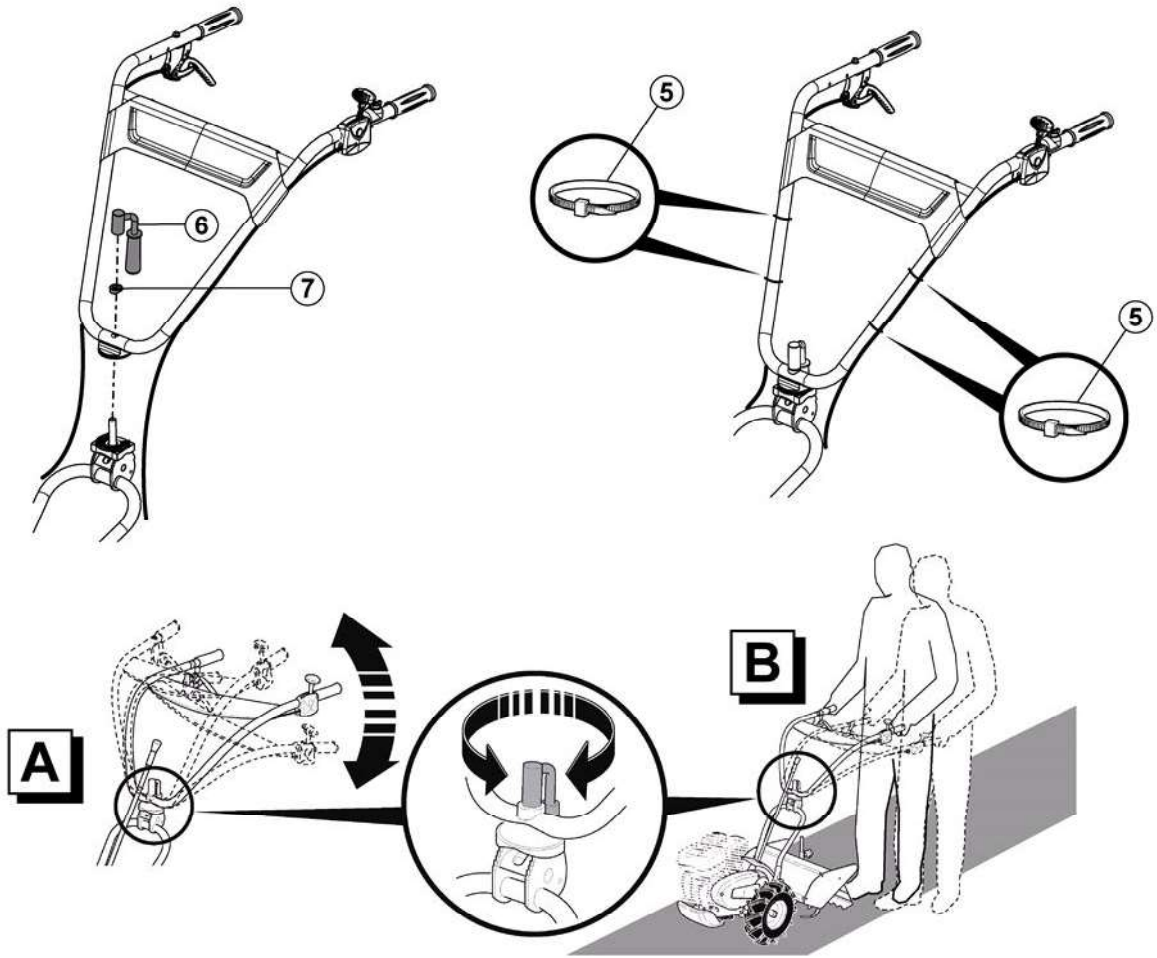


1.1

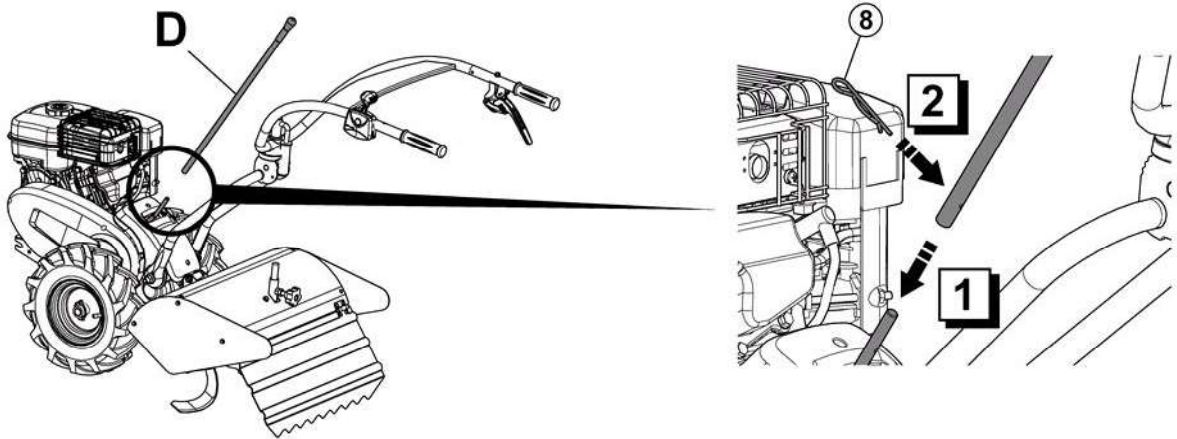




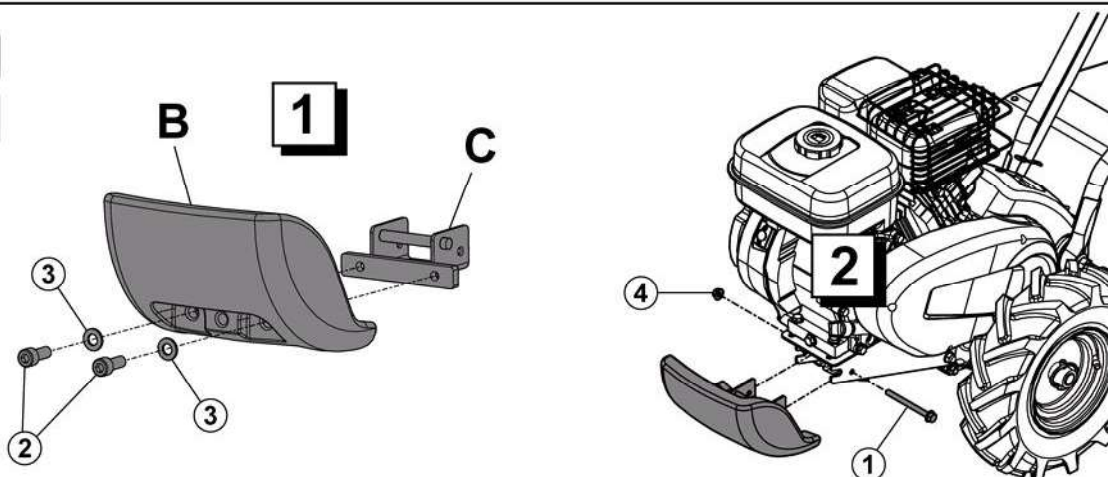
1.2



1.3

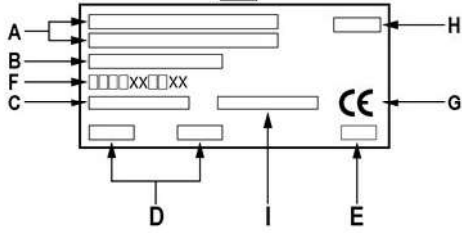
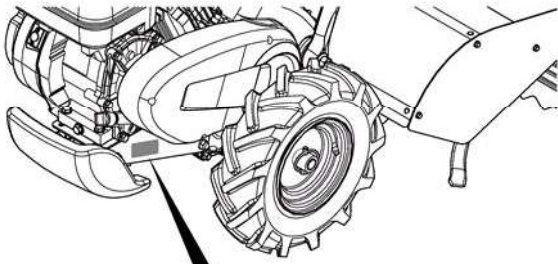


1.4

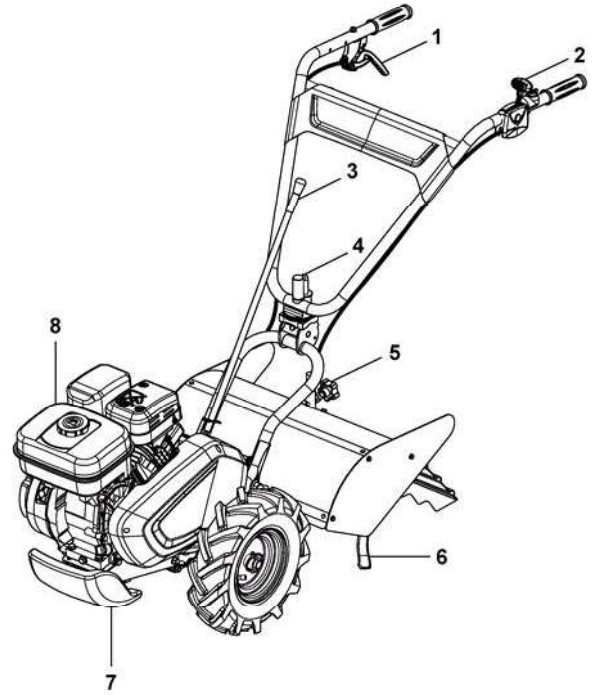


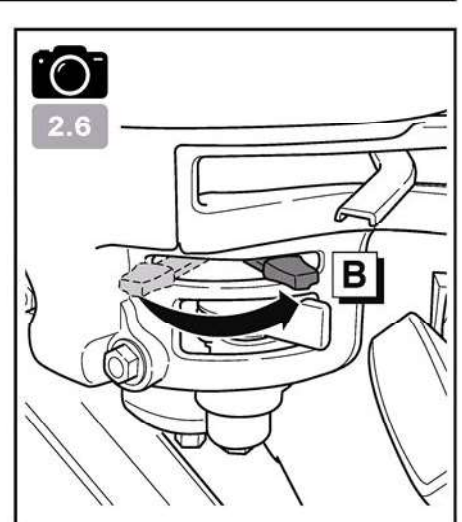
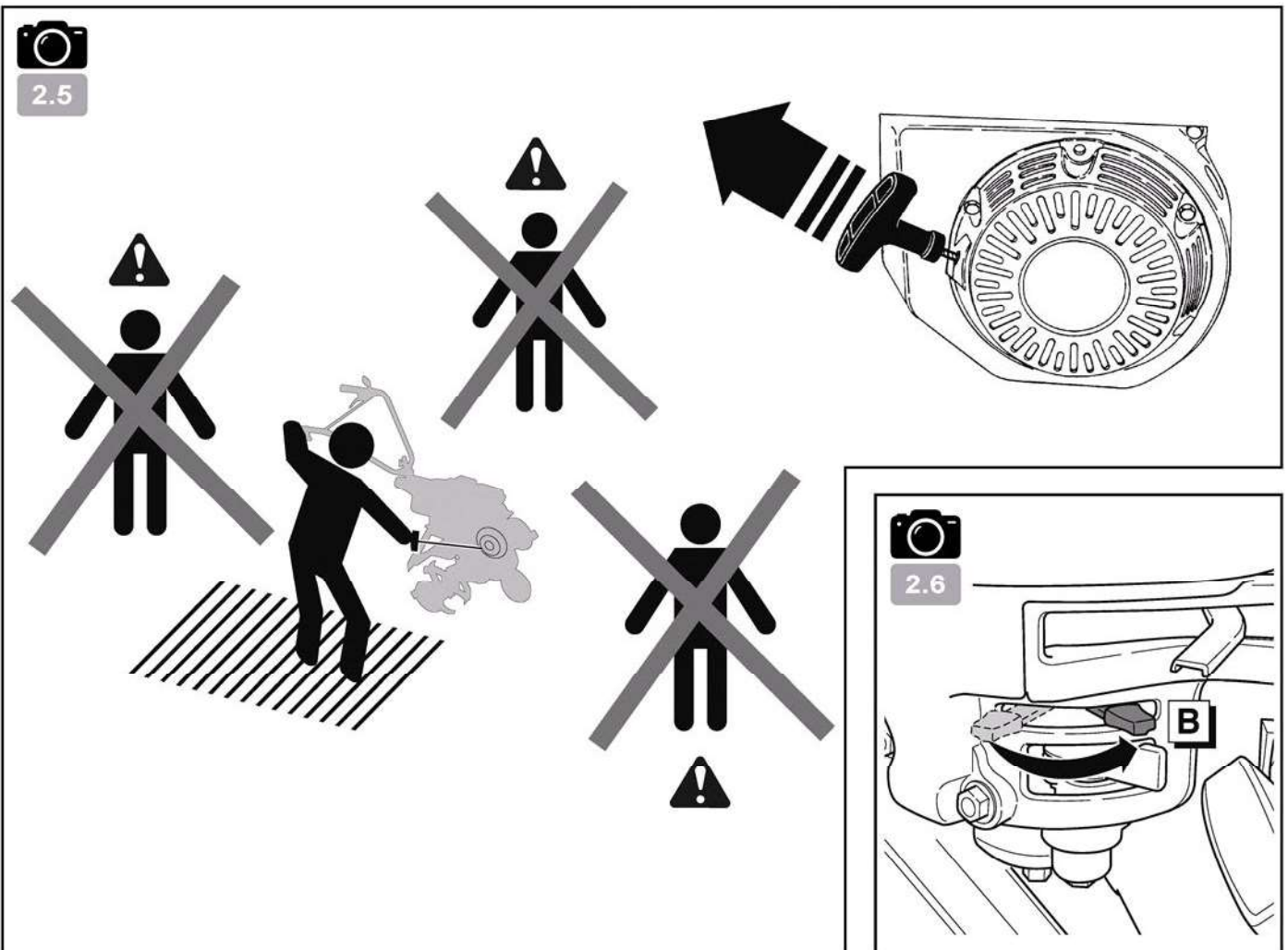
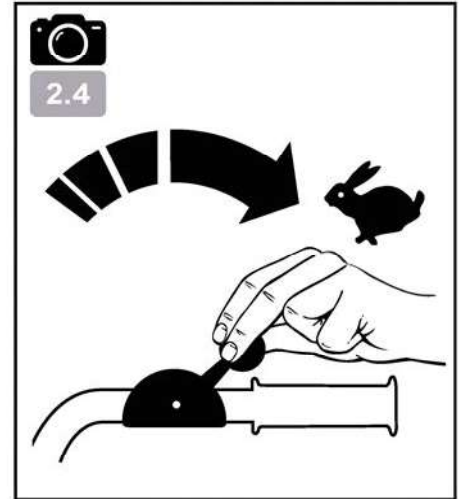
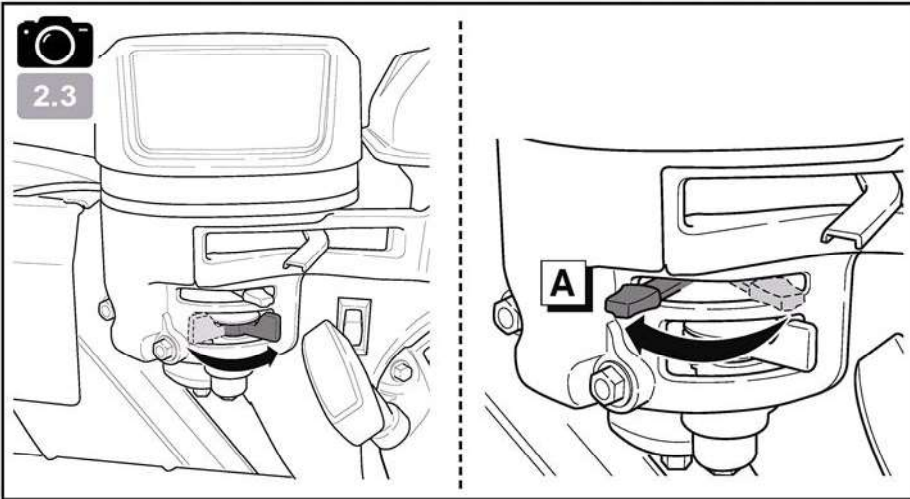
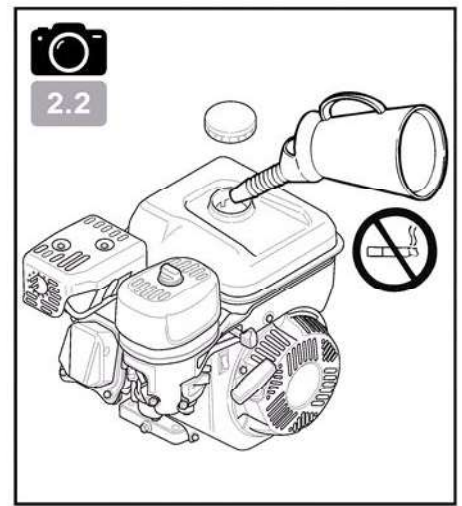
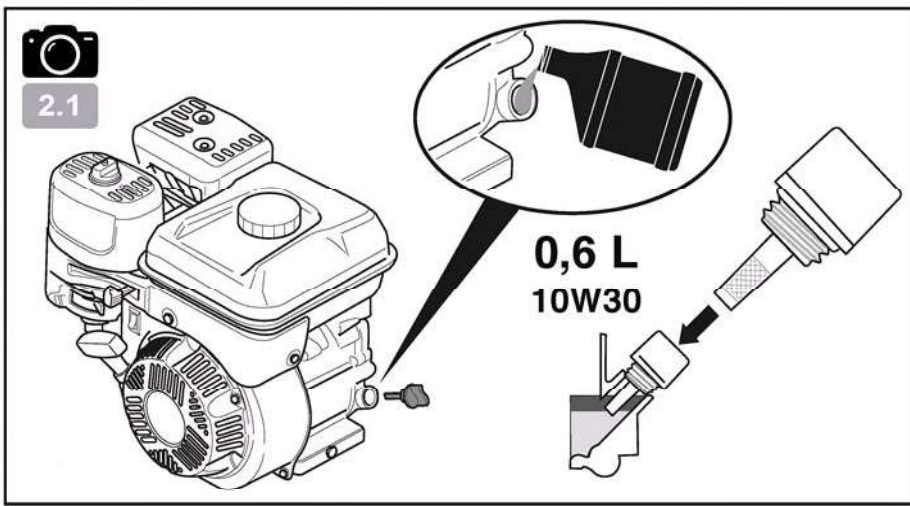


1.5



1.6

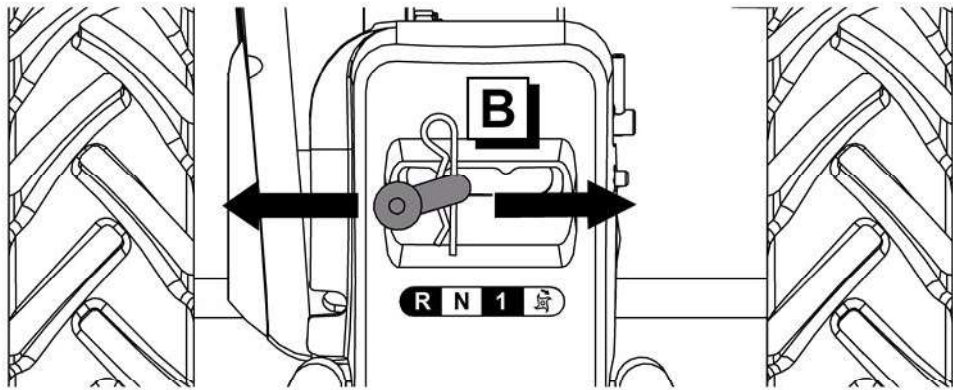
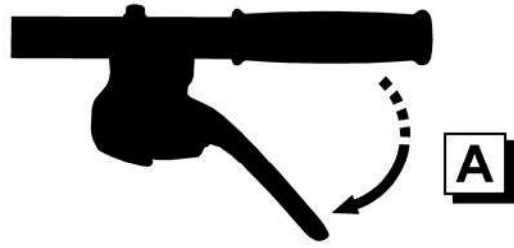




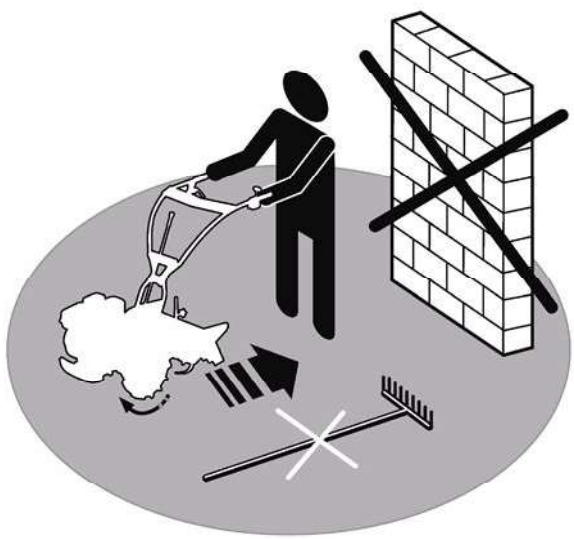
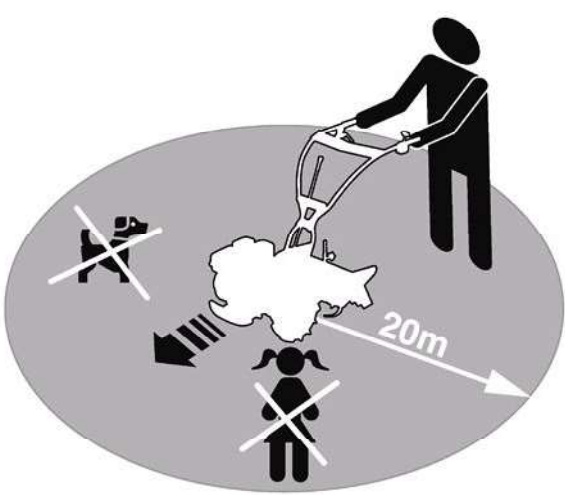
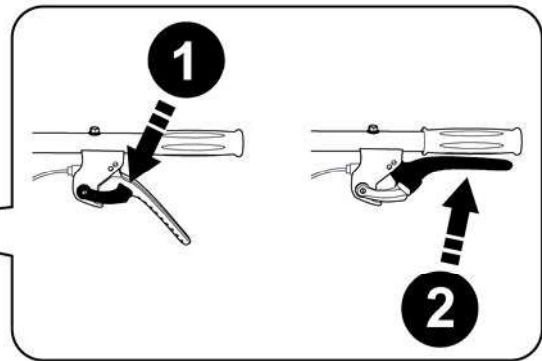


3.1

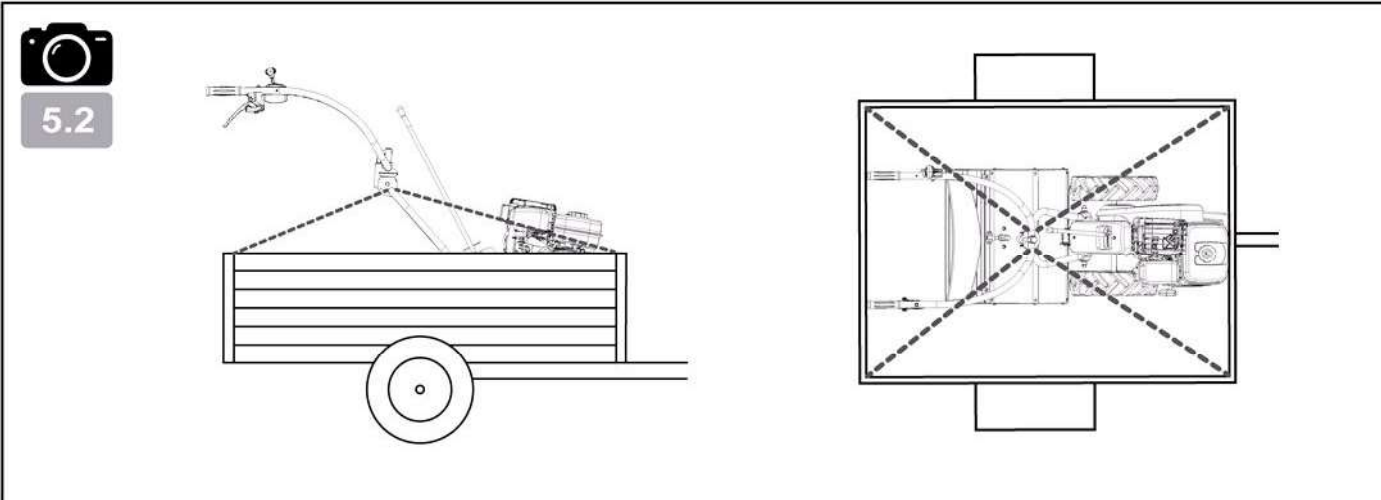
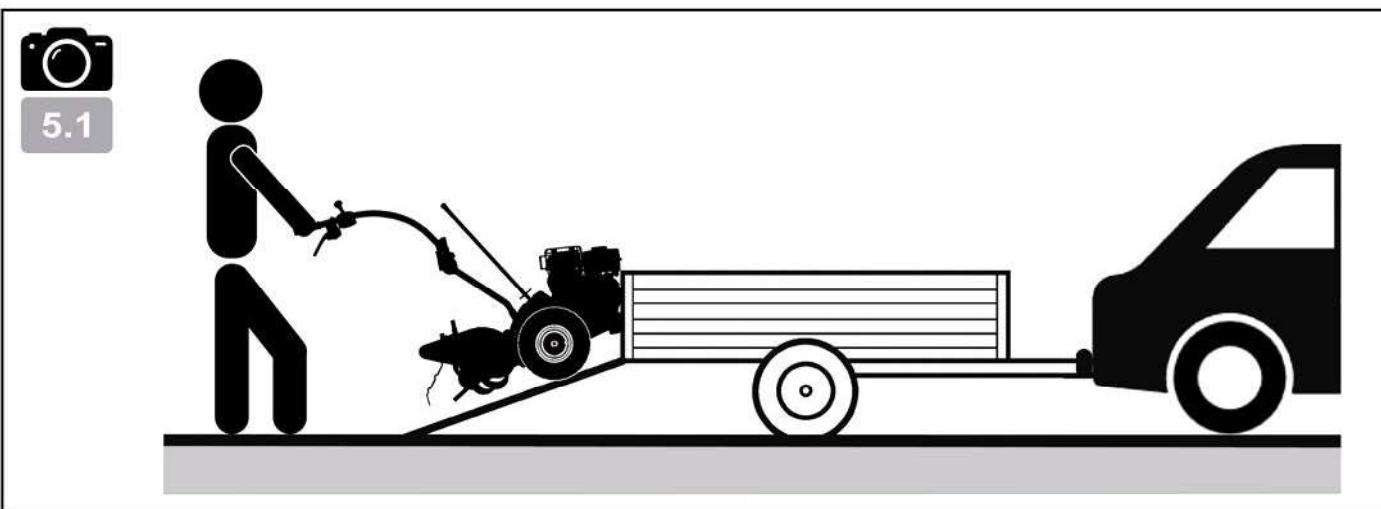
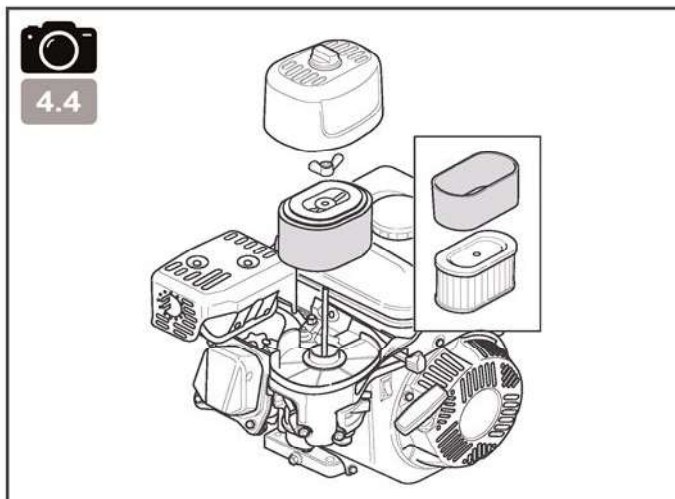
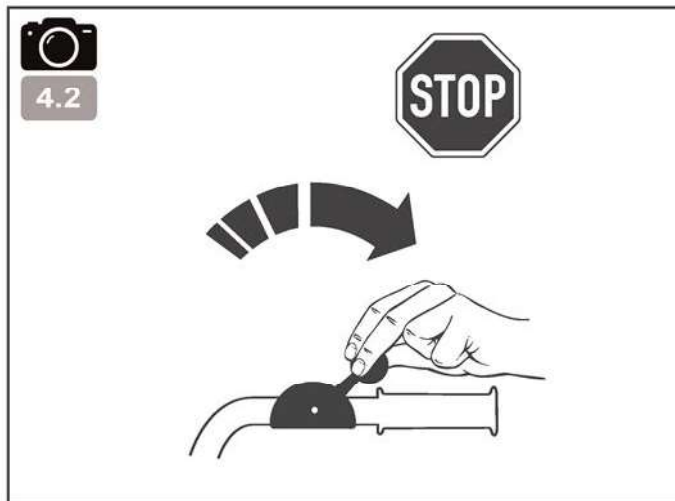
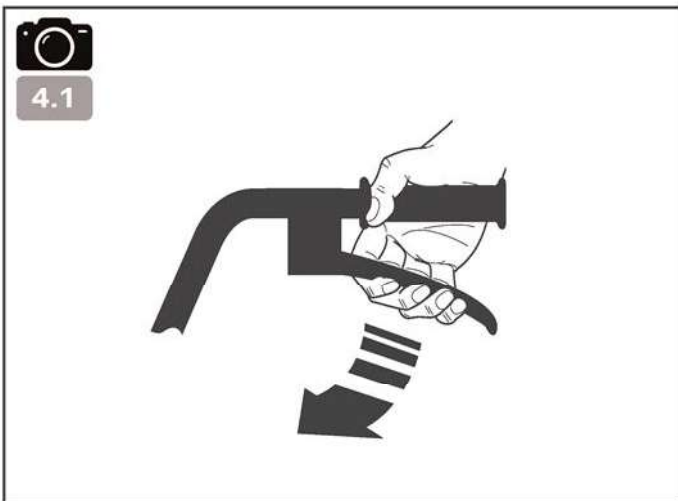
R N 1 

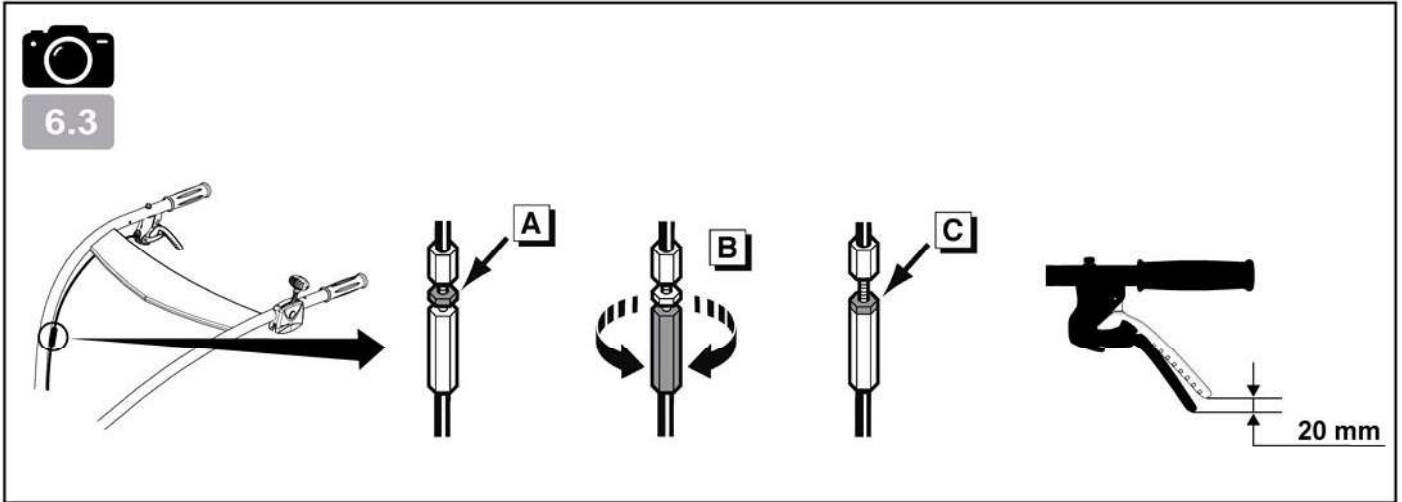
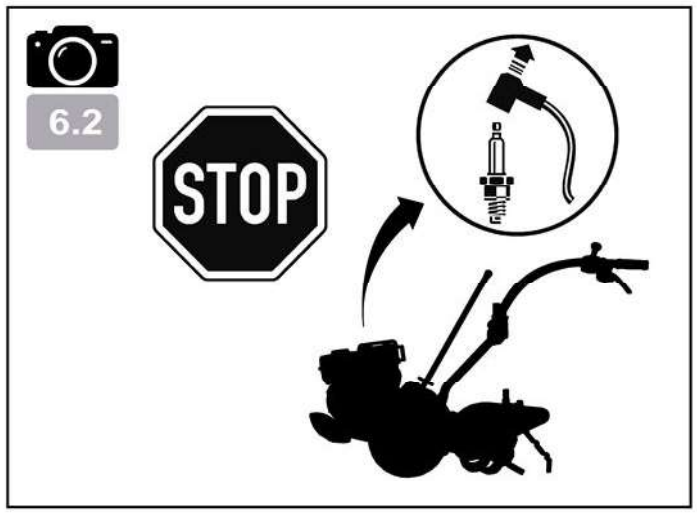
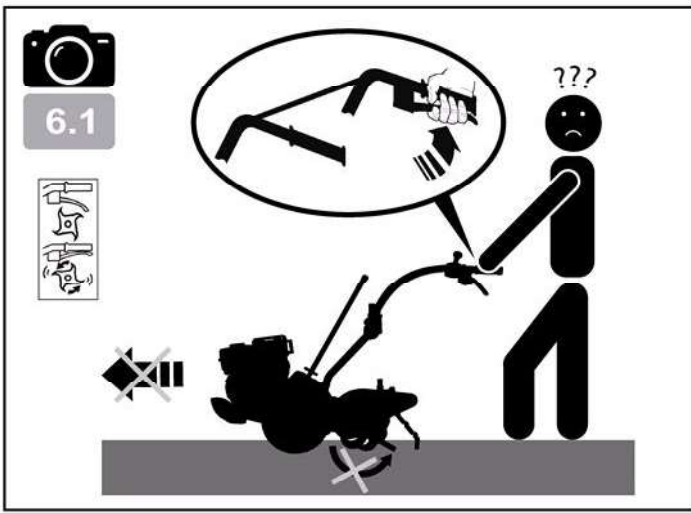


3.2









Pay close attention to indications preceded by the following statements:



**CAUTION:** Indicates a high probability of serious physical injury or danger of death if the instructions are not followed

**PRECAUTION:** Indicates a possibility of physical injury or damage to the equipment if the instructions are not followed

**NOTE:** Provides useful information



This symbol warns you to be careful during certain operations

If a problem occurs, or if you have any questions about the motor hoe, please contact an approved dealer



**CAUTION:** The machine is designed to provide safe and reliable service when used according to the Instructions. Please read and memorise the content of this manual before you use your machine. If you do not, you will risk injury and the equipment may be damaged

#### Training / Information:

- Familiarise yourself with the correct use and commands before you use the machine. Know how to shut the engine off quickly.
- The machine must always be used according to the recommendations indicated in the instruction manual.
- Do not forget that the user is responsible for any accidents or dangerous phenomena that occurs to other people or their property. It is their responsibility to assess the potential risks in the land to be worked and to take all the necessary precautions to guarantee their safety, in particular on slopes or on rough, slippery or loose ground.
- Never let children or people who are unfamiliar with these instructions use the machine. A minimum user age may be set by local regulations.
- Never work if there is anyone, in particular children or animals, within a 20-metre radius around the machine; the user must stay at the commands on the handlebars.
- Do not use the machine after taking any medicines or substances considered as potentially harmful to your reflexes and vigilance.
- Pay closer attention on hard ground as the machine will tend to be much less stable than on cultivated land.
- While working, always wear hard, non-slip shoes and long, tight trousers. Do not use the machine if you are barefoot or wearing sandals. We recommend wearing hearing protection.
- Use the machine for the purpose for which it is intended, i.e. soil turning. Any other use may be dangerous or may damage the machine.

#### Preparation:

- Carefully inspect the area where the machine is to be used and remove all objects which may be projected by the machine (stones, wires, glass, metal objects, etc.).
- Before use, always perform a visual inspection of the machine to make sure that the tools and deflectors are not worn or damaged. Have the worn or damaged parts replaced.
- If the machine has an engine stop button, keep the engine stop electrical cables in good condition to ensure that the engine will stop.

- Check that there are no liquid leaks (petrol, oil, etc.)
- Do not use the machine without mudguard or protective covers and make sure that all the attachment mechanisms are fully tightened.

#### Use:

- Never transport any people on the machine
- Start the engine carefully, following the manufacturer's instructions and keeping your feet away from the tool(s).
- Shut down the engine when the machine is unsupervised.
- Walk, never run with the machine.
- Pull the machine towards you or reverse the movement direction (if possible) with a great deal of care.
- Keep the safe distance in relation to the rotating tools, given by the handlebar length.
- Never put your hands or feet near or under rotating elements.
- In the event of:
  - Abnormal rotation,
  - Blockage,
  - Clutching problem,
  - Impact with a foreign object,
  - Damage to the engine shutdown cable (depending on the model),

shut down the engine immediately (if the engine shutdown cable is cut, activate the starter command as described in the § "starting the engine" to shut down the engine), let the machine cool down, disconnect the spark plug wire, inspect the machine and have the necessary repairs carried out by an authorised repair technician before using the machine again.

- Only work in daylight or in good quality artificial light.
- Do not use the machine on slopes over 10° (17%).
- Work cross-wise on slopes, never ascending or descending.
- On steep land, be sure of your footing and take great care when changing direction.
- Using accessories other than those recommended may make the machine dangerous and cause damage to your machine, which will not be covered by your warranty.

#### Maintenance / Storage / Disposal:

- Shut down the engine and disconnect the spark plug before any cleaning, verification, tool change, adjustment or maintenance operations on the machine.
- Shut down the engine, disconnect the spark plug and wear thick gloves when changing the tool(s).
- Keep all nuts and screws tight to guarantee safe usage conditions.
- To reduce the fire risks, keep the engine, the silencer and the petrol storage area free of all vegetation, excess grease or any other materials likely to catch fire.
- Have the exhaust silencers replaced
- Do not repair the parts. Have the parts replaced with original parts.
- Replace the tools with complete batches to preserve the balance.
- For your safety, do not modify your machine's characteristics. Do not modify the engine speed regulation settings and do not use the engine in overspeed. Regular maintenance is essential to guarantee safety and maintain performance.
- Let the engine cool down before you store the machine inside premises.
- The device must be disposed of in accordance with the regulations in force in the country of use.

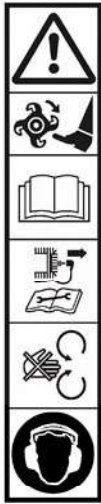
#### Caution – Danger: Petrol is highly flammable:

- Store the fuel in containers specially provided for the purpose. Fill up with fuel outdoors only and do not smoke during the operation.
- Never remove the cap from the petrol tank or add petrol when the engine is running or when it is hot.
- If petrol is spilled on the ground, do not try to start the engine but move the machine away from this area and avoid causing any fires until the petrol fumes have dissipated.
- Store the machine in a dry place. Never store the machine in premises where the petrol fumes may reach a flame, a spark or a high source of heat.
- Put the caps back in place correctly on the tank and the petrol feed.
- Limit the quantity of petrol in the tank to minimise splashing.
- Do not run the engine in a confined space where carbon monoxide fumes may build up.
- Carbon monoxide may be fatal. Make sure that the premises are well ventilated.

#### Movement / Handling / Transport:

- All actions on the machine apart from working the ground must be performed with the engine shut down and the spark plug disconnected.
- The machine must be moved (apart from working the ground) using the transport wheel as described in the § "movement".
- Handling: do not lift the machine on your own. The machine's weight is indicated on the manufacturer's plate and at the end of this manual. Use a handling method that is adapted to the machine's weight and the situation in order to guarantee safety.
- The machine must be loaded into and unloaded from a trailer using an adapted loading ramp. Stow the machine correctly for safe transport.
- The machine must be transported with the engine shut down and the spark plug disconnected using a trailer; do not use any other method of transport.

**PICTOGRAM DEFINITION**



**CAUTION**  
Danger

**CAUTION**  
Rotating cutter blades

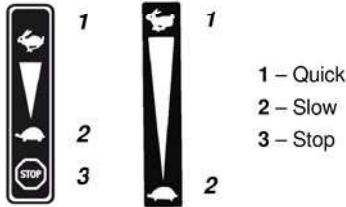
**CAUTION**  
Read the user manual

**CAUTION**  
Consult the user manual and remove the spark plug before any intervention

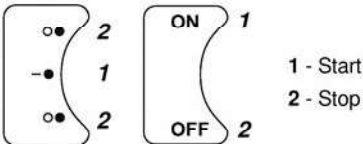
**CAUTION**  
Do not use without protection (moving elements)

**CAUTION**  
Wear ear protectors

**Gas command (according to motor)**



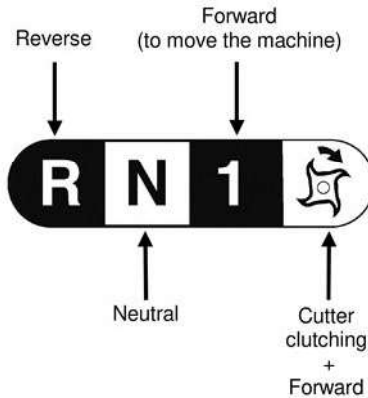
**Short circuit (according to motor)**



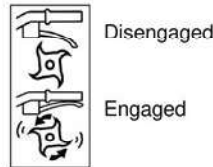
**Starter (depending on version)**



**Gear lever**



**Clutch command**



Do not touch hot surfaces



The exhaust gases are dangerous  
Do not use in a poorly-ventilated area



Switch the engine off before filling up



Starter



Battery charge  
8 HOURS MAXIMUM



Pictograms that may or may not be present depending on the machine model

**TECHNICAL INFORMATION**

Machine model	<b>TR 348</b>		
Weight	<b>71 kg</b>	Engine model	<b>CR950</b>
Net power *	<b>4.7 KW</b> for an engine rate		<b>3600 rpm</b>
Nominal power	<b>4.5 KW</b> for a nominal engine rate		<b>3300 rpm</b>
Guaranteed acoustic power level	<i>NF EN ISO 3744: février 2012</i>		<b>98 dB(A)</b>
Acoustic pressure level at driving position			<b>84,5 dB(A)</b>
	<i>NF EN ISO 3744: février 2012</i>	Measurement uncertainty	<b>1 dB(A)</b>
Measured acoustic power level			<b>95,3 dB(A)</b>
	<i>NF EN ISO 3744: février 2012</i>	Measurement uncertainty	<b>1 dB(A)</b>
Level of vibrations on the operator's hands			<b>4,7 m/s<sup>2</sup></b>
	<i>NF EN 709+A4: janvier 2010</i>	Measurement uncertainty	<b>2 m/s<sup>2</sup></b>

\* The engine power indicated in this document is a net power obtained by the test on a series engine according to standard SAE J 1349 at a given rotation speed. The power of another production engine may be different from this indicated value. The actual power of an engine installed on a machine will depend on different factors, such as the rotation speed, the temperature, humidity, atmospheric pressure, maintenance and other conditions.


<b>EU Stage V emission compliance</b>	
	<b>WARNING:</b> Any change to the engine voids the EU type-approval of this product
Approval no.:	<b>E5*2016/1628*2016/1628*SYA1/P*1035*0</b>
CO <sub>2</sub> (g/Kw-hr):	<b>840.50</b>


In accordance with the provisions of Article 43 2016/1628, the manufacturer provides you with the measured CO<sub>2</sub> value which was determined during the EU type-approval process: this CO<sub>2</sub> measurement results from testing over a fixed test cycle under laboratory conditions a(n) (parent) engine representative of the engine type (engine family) and shall not imply or express any guarantee of the performance of a particular engine.

NOTE: with permanent improvement in mind, the manufacturer specifies that all of this manual is not contractually-binding and reserves the right to modify the specifications of their machines without notice

 ← **Unpacking**

1.1

 **DANGER:**  
Incorrect assembly of this machine may cause serious injury  
Make sure that you follow all the instructions carefully

 **CAUTION:**  
Make sure that you do not cut the cables or scratch the machine's paintwork when cutting sharp edges from the body

Item	Case content
A	Engine block
B	Counterweight
C	Counterweight support
D	Gear lever
E	Documents + nuts and bolts pouch

 ← **Mounting the handlebar**

1.2

Turn over the handlebar avoiding damage to the cables

A = Height adjustment

B = Swing adjustment

 ← **Mounting the gear lever**

1.3

 ← **Mounting the counterweight**

1.4

 ← **Machine identification plate**

1.5

- A – Manufacturer's name and address
- B – Type of machine
- C – Serial number
- D – Nominal power
- E – Weight in kilograms
- F – Machine model
- G – EC identification
- H – Year of manufacture
- I – Commercial name

 ← **Description of the elements**

1.6

- 1 – Forward clutch lever
- 2 – Gas lever
- 3 – Gear lever
- 4 – Handlebar adjustment handle
- 5 – Gauge spur
- 6 – Rotating tools
- 7 – Counterweight
- 8 – Motor



← Oil full and level

2.1



← Petrol full

2.2

Super or unleaded or SP95 E 10




← Open the fuel tap and set the starter to position A

2.3



← Accelerator


2.4

Set the lever to: 



← Pull the launcher handle

2.5

 Always remain inside the safety zone when the machine is starting up



← Set the starter to position B

2.6

## USE

This machine is intended to prepare the soil for planting

This machine is not intended for professional use



After you start the machine, do not leave the motor running on idle; start working as quickly as possible by pressing the tool clutch command

There is no need to warm up the motor; running it on idle for more than 2 minutes without engaging the tools may cause major damage to the clutch system and its belt



← Gear selection

3.1



Do not activate the gear change lever without releasing the clutch lever

Swivel the steering column downwards to make it easier to change gear

**A** Release the clutch lever

**B** Press the gear selector :

*R* = Reverse

*N* = Neutral

*1* = Forward

 = Activate the mills



← Mill

3.2



Maintain a 20 metre safety radius around the machine



Reversing is dangerous

Make sure that there are no obstacles behind you before engaging reverse

Press the clutch lever to activate the selected function

## STOPPING

EN


### Cutting tool shutdown

4.1

Release the clutch handle

### Engine shutdown

4.2

Set the accelerator command to: 

### Close the petrol tap

4.3

## DAILY CHECKS

Check the following points before you start the engine:

- No loose or broken nuts and bolts
- No fuel or engine oil leaks
- Safety of the environment

### Clean engine oil level

2.1

### Fuel level ok

2.2

### Air filter element cleanliness and oil level (Depending on engine type)

4.4



Do not use any flammable solvents to clean the air filter's foam element

## MAINTENANCE PROGRAMME (to be carried out by an authorised workshop)

### After the first 5 hours

- Change the engine oil

### Every 8 hours or each day

- Clean the air filter \*
- Clean the areas around the silencer and the commands
- Clean the launcher casing

### Every 25 hours or once per year

- Clean the air filter \*
- Clean the pre-filter \*

### Every 50 hours or once per year

- Change the engine oil
- Inspect the silencer and the spark guard

### Every year or 300 hours

- Change the air filter
- Change the pre-filter
- Change the spark plug
- Change the fuel filter
- Clean the air cooling system \*
- Check the valve play \*\*

\* Clean more often if the machine is used in a dusty atmosphere or one full of airborne debris

\*\* Not vital unless there are performance problems (to be carried out by an authorised workshop)

## MOVEMENT



5.1

← Movement



Use forward gear without operating the mills



5.2

← Stowing points

## ADJUSTING THE CLUTCHING CABLE



6.1

In «engaged» position, adjust the clutch cable if the machine jerks forwards or backwards or if the mills will not operate



6.2

Shut down the machine and disconnect the spark plug



6.3



Loosen the clutch cable tightener nut



Adjust the tightener until you obtain 20 mm play at the end of the clutch lever



Lock the nut again

Disconnect the spark plug

Start the engine and try again

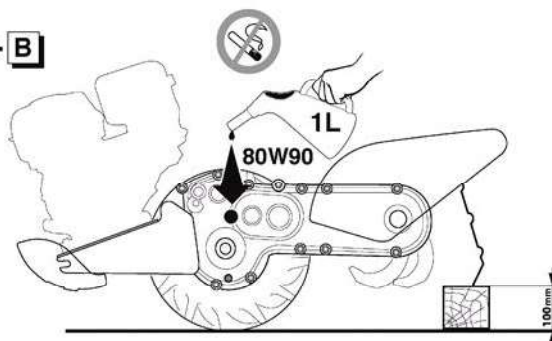
If the problem persists, contact your dealer

## FILLING AND TRANSMISSION SYSTEM LEVEL



Systematically check oil level before use

A+B



Filling



Level: The oil level must be flush with the opening. If this is not the case, top up



The device must be static on a flat surface for at least 20 minutes before checking oil level