

# T ECHNICAL INFORMATION



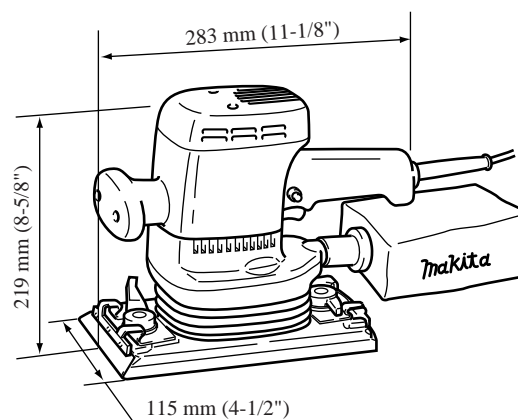
New Tool

**Models No.** ▶ 9046

**Description** ▶ Orbital Sander

## CONCEPTION AND MAIN APPLICATIONS

This orbital sander is ideal for heavy-duty applications such as sanding of metal and rough-finish sanding of wood because this tool produces high torque and large orbital action. Its pad has many holes for efficient dust extraction.



### ► Specifications

Voltage (V)	Current (A)	Cycle (Hz)	Continuous Rating (W)		Max. Output(W)
			Input	Output	
100	6.0	50/60	570	170	630
115	5.5	50/60	600	210	630
220	2.9	50/60	600	210	630
230	2.7	50/60	600	210	630
240	2.6	50/60	600	210	630

<b>Pad size</b>	115 mmx229 mm (4-1/2"x 9")
<b>Abrasive paper size</b>	115 mmx280 mm (4-1/2"x 11") for conventional type 115 mmx232 mm (4-1/2"x 9-1/8") for velcro type
<b>Orbits per minute</b>	6,000 O/min
<b>Net Weight</b>	3.0 kg (6.6 lbs)

### ► Standard equipment

Abrasive paper (conventional type) 115-60, 115-100, 115-150, Dust bag

### ► Optional accessories

Abrasive paper (conventional type) 115-60, 115-100, 115-120, 115-150,115-180,Abrasive paper (velcro type)115-60, 115-100, 115-120, 115-150,115-180,Joint, Hose 28

### ► Features and benefits

- 1.Double insulated
- 2.Refer to the attached sheet for more information.

The standard equipment for the tools shown may differ form country to country

Flat top for easy replacement of abraive papers; Turn the sander upside down and the flat top can be used as a base when replacing abrasive papers.

Front grip can be rotated in 90° increments for easy operation.

With a fan for dust extraction

Clamp lever can be left open. This allows you to use both hands when replacing the abra-  
sive paper.

Pad has many holes for efficient dust extraction. Both conventional and velcro type abrasive papers can be installed.

High torque and large orbital action allow heavy-duty appli-  
cations.

More efficient and cleaner opera-  
tions can be performed if you con-  
nect a Makita dust collector or  
vacuum cleaner.

