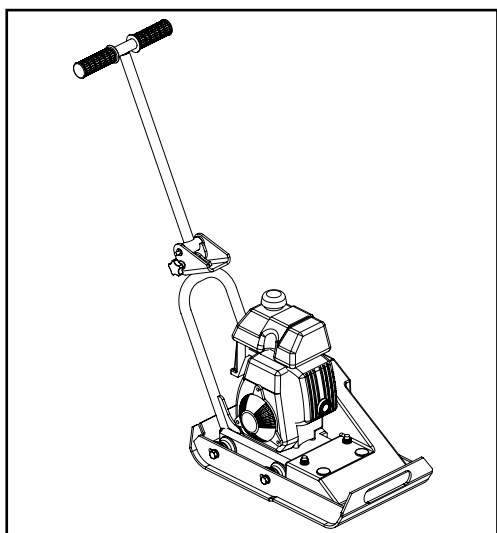




MPC 300



- Spare Parts Book

12

EC DECLARATION OF CONFORMITY / DECLARATION CE DE CONFORMITE / DECLARACIÓN DE CONFORMIDAD CE / DECLARAÇÃO CE DE CONFORMIDADE / EG-VERKLARING VAN OVEREENSTEMMING / EF OVERENSSTEMMELSESERKLÆRING

(GB) We, **Belle Group Sheen UK, Sheen, Nr Buxton, Derbyshire, SK17 0EU, GB**, hereby certify that if the product described within this certificate is bought from an authorised Belle Group dealer within the EEC, it conforms to the following EEC directives: 98/37/EC (This directive is a consolidation of the original machinery directive 89/392/EEC), Electromagnetic Compatibility Directive 89/336/EEC (as amended by 92/31/EEC & 93/68 EEC). The low voltage directive 73/23/EEC, BS EN ISO 12100-1:2003 Safety of machinery and associated harmonised standards, where applicable. Noise emissions conform to directive 2000/14/EC Annex VI, for machines under article 12 the notified body is **AV Technology Limited, AVTECH house, Birdhall Lane, Cheadle Heath, Stockport, Cheshire, SK3 0XU, GB**.
Noise Technical Files are held at the Belle Group Head Office address which is stated above.

(F) Nous soussignés, **Belle Group Sheen UK, Sheen, Nr Buxton, Derbyshire, SK17 0EU, GB**, certifions que si le produit décrit dans ce certificat est acheté chez un distributeur autorisé Belle Group au sein de la CEE, il est conforme aux normes CEE ci-après: 98/37/CE (Cette norme est une codification des normes de la machine d'origine 89/392/CEE), Norme compatible pour l'électromagnétisme 89/336/CEE (modifié par 92/31/CEE et 93/68/CEE). Caractéristiques basse tension 73/23/CEE, BS EN ISO 12100-1:2003, Norme de sécurité des machines et des critères associés et configurés, si applicable. Les émissions de bruit sont conformes à la directive 2000/14/EC Annexe VI pour machines, article 12, l'objet mentionné est **AV Technology Mimited, AVTECH House, Birhall Lane, Cheadle Heath, Stockport, Cheshire, SK3 0XU, GB**.
Les dossiers techniques sur les émissions sonores des machines sont détenus au siège social de BELLE GROUP à l'adresse ci-dessus.

(E) La Sociedad, **Belle Group Sheen UK, Sheen, Nr Buxton, Derbyshire, SK 17 OEU, GB**, por el presente documento certifica que si el producto descrito en este certificado es comprado a un distribuidor autorizado de Belle Group en la CEE, este es conforme a las siguientes directivas: 98/37/CE de la CEE (Esta directiva consolida la directiva inicial sobre maquinaria 89/392/CEE), Directiva 89/336 CEE sobre Compatibilidad Electromagnética (según enmiendas 92/31/CEE y 93/68 CEE), Directiva sobre Bajo Voltaje 73/23/CEE, BS EN ISO 12100-1:2003 de Seguridad de Maquinaria y Niveles armonizados estándares asociados donde sean aplicables. Emisión de Ruidos conforme a la Directiva 2000/14/CE Anexo VI para máquinas bajo artículo 12 la mencionada unidad está **AV Technology Limited, AVTECH House, Birdhall Lane, Cheadle Heath, Stockport, Cheshire, SK3 0XU, GB**.
En La Sede Central de Belle Group existen Archivos Técnicos con contenido referente a Niveles de Ruido.

(P) O signatário, **Belle Group Sheen UK, Sheen, Nr Buxton, Derbyshire, SK 0EU, GB**, pelo presente, declara que se o produto descrito neste certificado foi adquirido a um distribuidor autorizado do Belle Group em qualquer país da UE, está em conformidade com o estabelecido nas seguintes directivas comunitárias: 98/37/EC (esta directiva é uma consolidação da directiva de maquinaria original 89/392/EEC), Directiva de Compatibilidade Electromagnética 89/336/EEC (conforme corrigido pelas 92/31/EEC & 93/68 EEC). A directiva de baixa voltagem 73/23/EEC, BS EN ISO 12100-1:2003 Segurança da maquinaria e às normas harmonizadas afins se aplicáveis. As emissões de ruído respeitam e estão dentro das directivas para máquinas 2000/14/EC Anexo VI, artigo 12, sendo o organismo notificado **AV Technology Limited, AVTECH house, Birdhall Lane, Cheadle Heath, Stockport, Cheshire, SK3 0XU, GB**.
A informação técnica sobre níveis sonoros está disponível na Sede da Belle Group na morada acima mencionada.

(NL) Ondergetekende, **Belle Group Sheen UK, Sheen, Nr Buxton, Derbyshire, SK17 OEU, GB**, verklaren hierbij dat als het product zoals beschreven in dit certificaat is gekocht van een erkende Belle Group dealer binnen de EEG, het voldoet aan de volgende EEG richtlijnen: 98/37/EC (Deze richtlijn is een opvolger van de originele Machinerichtlijn 89/392/EEG), Electromagnetische Compatability Richtlijn 89/336/EEG (geamendeerd door 92/31/EEG & 93/68 EEG). De Laagspannings Richtlijn 72/23/EEG, BS EN ISO 12100-1:2003 Veiligheid van Machines en hieraan gekoppelde geharmoniseerde Standaarden, waar deze van toepassing is. Rumoeur emissions passen voor richtlijn EC Zijgebouw VI, voor toestel onder stuk 12 naar de notified troep zit **AV Technology Limited, AVTECH house, Birdhall Lane, Cheadle Heath, Stockport, Cheshire, SK3 0XU, GB**
Worden de Technische Dossiers van het lawaai gehouden op het adres van het Hoofdkantoor van de Groep Belle dat hierboven ' wordt verklaard.

(DK) Vi, **Belle Group Sheen UK, Sheen, Nr Buxton, Derbyshire, SK17 0EU, GB**, erklærer hermed, at hvis det i dette certifikat beskrevne produkt er købt hos en autoriseret Belle Group forhandler i EU, er det i overensstemmelse med følgende EØF-direktiver: 98/37/EF, 73/23/EØF (som ændret ved 93/68/EØF), 89/336/EØF (som ændret ved 92/31/EØF), 93/68/EØF og tilknyttede, harmoniserede standarder, hvor relevant. Støjniveauet er i overensstemmelse med direktiv 2000/14/EF, bilag VI gældende for maskiner under paragraf 12. Det bemyndigede organ er **AV Technology Limited, AVTECH house, Birdhall Lane, Cheadle Heath, Stockport, Cheshire, SK3 0XU, Storbritanien**.

PRODUCT TYPE	TYPE DE PRODUIT.....	TIPO DE PRODUCTO	TIPO DE PRODUCTO
MODEL.....	MODELE.....	MODELO	MODELO.....
SERIAL No.....	N° DE SERIE.....	N° DE SERIE.....	NO. DE SÉRIE
DATE OF MANUFACTURE.	DATE DE FABRICATION	FECHA DE FABRICACIÓN..	DATA DE FABRIC
SOUND POWER LEVEL MEASURED	NIVEAU DE PUISSANCE SONORE MESUREE	NIVEL DE POTENCIA ACÚSTICA MEDIDO	NIVEL DE POTÊNCIA DE SOM MEDIDO
(GUARANTEED).....	(GARANTIE).....	(GARANTIZADO).....	(GARANTIDO).....
WEIGHT.....	POIDS	PESO	PESO
PRODUCTTYPE	PRODUKTTYPE.....		
MODEL.....	MODEL		
SERIENUMMER.....	SERIENR.		
FABRICATEDATUM.....	FREMSTILLINGSDATO		
GEMETEN GELUIDSSTERKTENIVEAU (GEGARANDEERD)	LYDEFFEKTNIVEAU MÅLT		
GEWICHT.....	VÆGT		



Signed by:
Signature:
Medido por:
Assinado por:
Getekend door:
Uunderskrevet af:


Ray Neilson

Managing Director - On behalf of BELLE GROUP (SHEEN) UK.
Le Directeur Général - Pour le compte de la SOCIETE BELLE GROUP (SHEEN) UK.
Director Gerente - En nombre de BELLE GROUP (SHEEN) UK.
Director-Geral - Em nome de BELLE GROUP (SHEEN) UK.
Algemeen Directeur - Namens BELLE GROUP (SHEEN) UK.
Administrerende direktør - På vegne af BELLE GROUP (SHEEN) UK.

**EGKONFORMITÄTSERKLÄRUNG / DICHIARAZIONE CE DI CONFORMITÀ /
EG-VERKLARING VAN OVEREENSTEMMING /
EC SAMSVARERKLÆRING / EY-YHDENMUKAISUUSILMOITUS / DEKLARACJA
ZGODNOSCI Z PRZEPISAMI UE**

(D) Wir, **Belle Group Sheen UK, Sheen, Nr. Buxton, Derbyshire, SK17 0EU, Großbritannien**, bestätigen hiermit, dass das in diesem Zertifikat beschriebene Produkt, wenn es von einem autorisierten Belle Group Händler innerhalb der europäischen Gemeinschaft gekauft wurde, folgenden EG-Richtlinien entspricht: 98/37/EG, 73/23/EG (geändert durch 93/68/EG), 89/336/EG (geändert durch 92/31/EG), 93/68/EG und, wenn zutreffend, den harmonisierten Normen. Geräuschemissionen entsprechen der Richtlinie 2000/14/EG, Anhang VI, für Maschinen unter Artikel 12: die benannte Stelle ist **AV Technology Limited, AVTECH House, Birdhall Lane, Cheadle Heath, Stockport, Cheshire, SK3 0XU, GB**.
Geräuschtechnische Dokumente stehen in unserer Zentrale unter obig angegebener Adresse zur Verfügung.

(I) Il **Gruppo Belle Sheen UK, Sheen, Nr. Buxton, Derbyshire, SK17 0EU, GB**, certifica che il prodotto descritto nel presente certificato è acquistato da un concessionario autorizzato del gruppo Belle nell'ambito CEE e che è pienamente conforme alle seguenti direttive CEE: 98/37/EC, 73/23/EEC (emendamento 93/68/CEE), 89/336/EEC (emendamento 92/31/CEE), 93/68/CEE e relativi standard armonizzati. Livelli acustici sono in conformità con la direttiva 2000/14/EC Annex VI per macchine coperte dall'articolo 12. L'ente di riferimento è **AV Technology Limited, AVTECH house, Birdhall Lane, Cheadle Heath, Stockport, Cheshire, SK3 0XU, GB**.
Dati tecnici relativi ai livelli acustici sono disponibili su richiesta dalla sede madre Belle Group al sopra citato indirizzo.

(S) Undertecknade, **Belle Group Sheen UK, Sheen, Nr Buxton, Derbyshire, SK17 0EU, Storbritannien**, intygar härmed att en produkt beskriven i detta certifikat som köps från en godkänd Belle Group återförsäljare inom EU stämmer överens med följande EG-direktiv: 98/37/EG, 73/23/EG (ändrat genom 93/68/EEC), 89/336/EG (ändrat genom 92/31/EG), 93/68/EG och tillhörande harmoniserade standarder i tillämpliga fall. Buller nivån överensstämmer med Direktiv 2000/14/EC Bilaga VI gällande maskiner under artikel 12, den aviserade organisationen är **AV Technology Limited, AVTECH house, Birdhall Lane, Cheadle Heath, Stockport, Cheshire, SK3 0XU, Storbritannien**.
Teknisk dokumentation vad gäller test av maskiners ljud/bullernivå finns dokumenterad hos Belle-Groups huvudkontor i Sheen, England.

(NO) Vi, **Belle Group Sheen UK, Sheen, Nr Buxton, Derbyshire, SK17 0EU, GB**, bekrefter med dette at det produktet som står beskrevet i denne erklæringen er kjøpt fra en autorisert Belle Group forhandler innen EØF, og at det oppfyller følgende direktiver: 98/37/CE dette direktivet er et sammendrag av det opprinnelige maskindirektivet 89/392/EØF). Det elektromagnetisk kompatibilitets-direktivet 89/336/EØF (som endret av 92/31/EØF og 93/68/EØF). Lavspenningsdirektivet 73/23/EØF, BS EN ISO 12100-1:2003, Sikkerhet til maskineri og tilhørende harmoniserte standarder, hvor aktuelt. Støyemisjon er i samsvar med direktiv 2000/14/EC, vedlegg VI, for maskiner. Organet som skal informeres under artikkel 12 er **AV Technology Limited, AVTECH House, Birdhall Lane, Cheadle Heath, Stockport, Cheshire, SK3 0XU, GB**.
Lydtekniske filer er arkivert hos Belle Group Hovedkontor med adresse som nevnt ovenfor.

(SF) Me, **Belle Group Sheen UK, Sheen, Nr. Buxton, Derbyshire, SK17 0EU, GB**, ilmoitamme täten, että jos tässä todistuksessa kuvattu tuote on ostettu valtuutetulta Belle Groupin myyjältä ETY:n alueella, se on yhdenmukainen seuraavien ETY-direktiivien kanssa: 98/37/EY (Tämä direktiivi on yhdistelmä alkuperäisestä koneidirektiivistä 89/392/EY, sähkömagneettisen yhteensopivuuden direktiivistä 89/336/EY, korjauksiin 92/31/EY ja 93/68/EY), matalajännittdirektiivistä 73/23/EY, koneturvallisuusstandardista BS EN ISO 12100-1:2003 ja siihen liittyvistä yhdenmukaistetuista standardeista, tapauksen mukaan. Melumittaus mitaus on laadittu direktiivin 2000/14/EC Kohdan VI artiklan 12 mukaisille koneille mukaan. Mittauksen suorittaja on **AV Technology Limited, AVTECH House, Birdhall Lane, Cheadle Heath, Stockport, Cheshire, SK3 0XU, GB**.
Melumittausten teknilliset arvot ovat saatavana Belle Group pääkonttorin ylläolevasta osoitteesta.

(PL) My, **Belle Group Sheen UK, Sheen, Nr. Buxton, Derbyshire, SK17 0EU, Wielka Brytania**, niniejszym poświadczamy, iż produkt opisany w tym świadectwie został zakupiony od autoryzowanej Belle Group w UE i jest zgodny z następującymi dyrektywami EU: 98/37/EC (ta dyrektywa to konsolidacja oryginalnej dyrektywy na temat maszyn 89/392/EEC), Dyrektywą zgodności elektromagnetycznej 89/336/EEC (z poprawkami wniesionymi przez 92/31/EEC oraz 93/68/EEC), Dyrektywą w sprawie niskich napięć 73/23/EEC, BS EN ISO 12100-1:2003 Bezpieczeństwo maszyn i związane normy harmonizacyjne, tam gdzie to ma zastosowanie. Poziom hałasu jest zgodny z Dyrektywą 2000/14/EC Załącznik VI, organizacja zawiadamiana (odnośnie zgodności) to **AV Technology Limited, AVTECH house, Birdhall Lane, Cheadle Heath, Stockport, Cheshire, SK3 0XU, Wielka Brytania**.
Informacje Techniczne dotyczące poziomu hałasu są przechowywane w Belle Group – adres powyżej.

PRODUKTTYP.....	TIPO PRODOTTO	PRODUKTTYP.....	PRODUKTTYP.....
MODELL	MODELLO	MODELL.....	MODELL
SERIENNR.....	SERIE N°	SERIE NR.	SERIE NR.
HERSTELLUNGSDATU	DATA DI FABBRICAZIONE..	TILLVERKNINGSDATUM.....	PRODUKSJONSDATO.....
SCHALLLEISTUNGSPEGEL GEMESSEN	LIVELLO POTENZA SONORA MISURATA	LJUDSTYRKA UPPMÅTT.....	LYDKRAFTNIVÅ MÅLT
(GARANTIERT).....	(GARANTITA).....	(GARANTERAD).....	(GARANTERT)
GEWICHT.....	PESO	VIKT.....	VEKT.....
TUOTETYYPPI.....	TYP PRODUKTO.....		
MALLI.....	MODEL		
VALMISTUSNRO.....	Nr SERII.....		
VALMISTUSPÄIVÄ.....	DATAPRODUKCJI		
ÄÄNENVOIMAKKUUDEN TASO MITATTU.....	POZIOM MOCY DŹWIĘKU ZMIERZONY		
(TAATTU).....	(GWARANTOWANY).....		
MASSA.....	WAGA		



Unterzeichnet vo:

Firmato da:

Undertecknat:

Signatur:

Allekirjoitus:

Podpisa:

Ray Neilson

Generaldirektor – Im auftrag von BELLE GROUP (SHEEN) UK.

Amministratore Delegato – Per conto di BELLE GROUP (SHEEN) UK.

V.D. – På vägnar av BELLE GROUP (SHEEN) UK.

Managing Director - På vegne av SOCIETE BELLE GROUP (SHEEN) UK.

Toimitusjohtaja - BELLE GROUP (SHEEN) UK: n puolesta.

Dyrektor Zarządzający – w imieniu BELLE GROUP (SHEEN) UK



How To Use This Manual

This manual has been written to help you operate and service the 'MPC300' Plate compactor safely. This manual is intended for dealers and operators of the 'MPC300' Plate compactor .

Foreword

The '**Machine Description**' section helps you to familiarise yourself with the machine's layout and controls.

The '**Environment**' section gives instructions on how to handle the recycling of discarded apparatus in an environmentally friendly way.

The '**General Safety**' and '**Health and Safety**' sections explain how to use the machine to ensure your safety and the safety of the general public.


The '**Operating Instructions**' section helps you with the setting up and use of the machine.


The '**Trouble Shooting**' guide helps you if you have a problem with your machine.

The '**Service & Maintenance**' section is to help you with the general maintenance and servicing of your machine.

Directives with regard to the notations.


Text in this manual to which special attention must be paid are shown in the following way:

 **CAUTION** The product can be at risk. The machine or yourself can be damaged or injured if procedures are not carried out in the correct way.

 **WARNING** The life of the operator can be at risk.



WARNING

 **WARNING** Before you operate or carry out any maintenance on this machine YOU MUST READ and STUDY this manual.

KNOW how to safely use the unit's controls and what you must do for safe maintenance. (NB Be sure that you know how to switch the machine off before you switch on, in case you get into difficulty.)

ALWAYS wear or use the proper safety items required for your personal protection. If you have **ANY QUESTIONS** about the safe use or maintenance of this unit, ASK YOUR SUPERVISOR OR CONTACT: **BELLE GROUP (UK): +44 (0) 1298 84606**

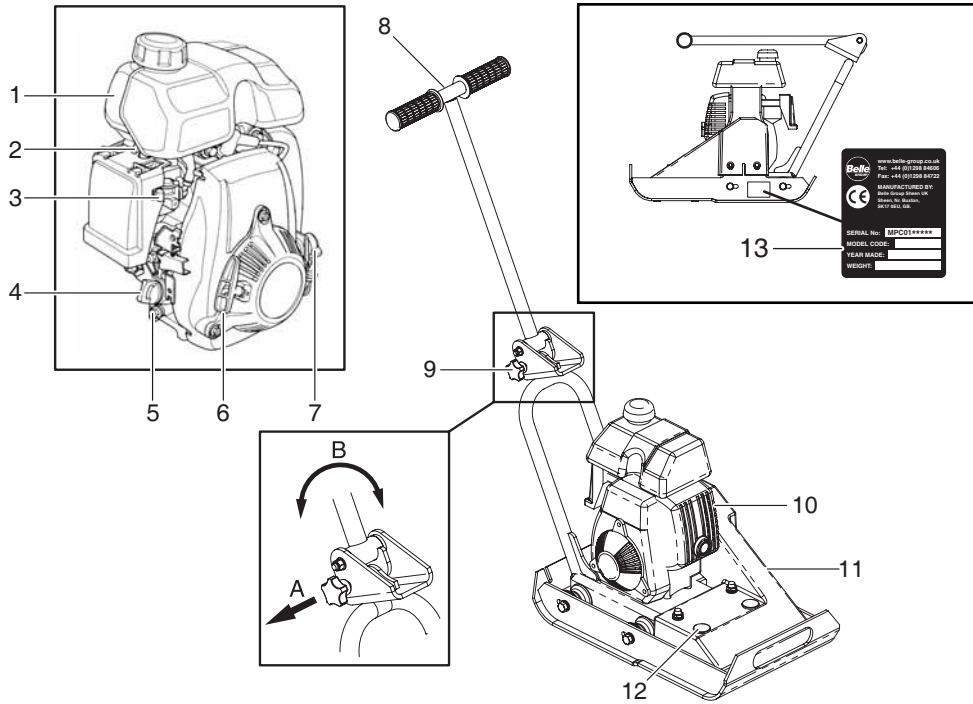


Contents

How to use this manual.....	4
Warning	4
Machine Description.....	5
Technical Data.....	5
Decals.....	6
Environment	6
Reasons For compaction	6
General Safety	7
Health and Safety.....	7
Pre-Start Checks	7
Operating Instructions	8
Service & Maintenance	9
Trouble Shooting Guide	10
Warranty	10
Declaration of Conformity.....	2

Belle Group reserves the right to change machine specification without prior notice or obligation.

Machine Description



1. Fuel Tank,
2. Choke Lever
3. Fuel ON/OFF Lever,
4. Engine Oil Filler / Dipstick
5. Engine Oil Drain Plug
6. Recoil Starter Handle
7. Engine ON/OFF Switch
8. Operating Handle
9. Operating Handle Locking Knob
10. Exhaust
11. Belt Guard
12. Vibrator Lubrication Access Point
13. Serial Number Label



CAUTION

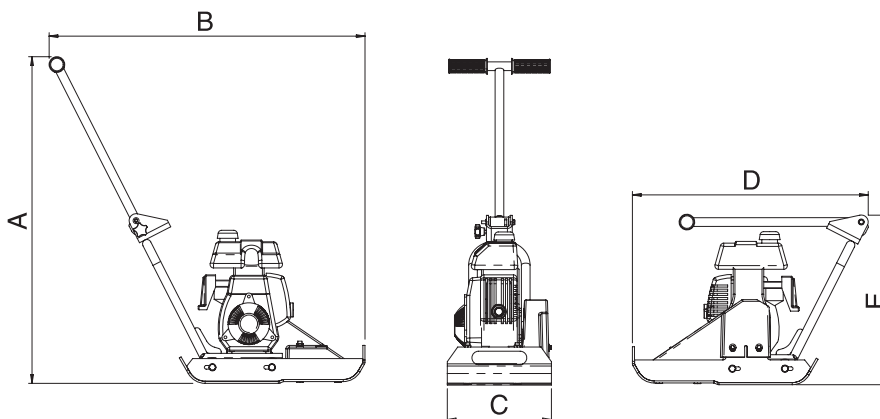
The optimum engine RPM has been pre-set at the factory; **DO NOT** adjust the throttle position. Failure to comply may result in damage or the product warranty being voided.

Technical Data



Model	MPC300
A - Height (Maximum) - Operation (mm)	937
B - Length (Maximum) - Operation (mm)	1073
C - Width (mm)	300
D - Length - Storage (mm)	707
E - Height - Storage (mm)	491
Engine	Honda GXH50
Engine Power (Hp/kW)	2.5/1.8 @ 3800rpm
Weight (kg)	32.5
Centrifugal Force (kN)	3.25
Frequency (Hz)	80
Maximum Travel Speed (m/min)	12.9
Compaction Force (kg/m ²)	556
3 Axis Vibration* (m/sec ²)	7.11
Usage Time (min)	60
Sound Power Level (LWA)	99 dB(A)

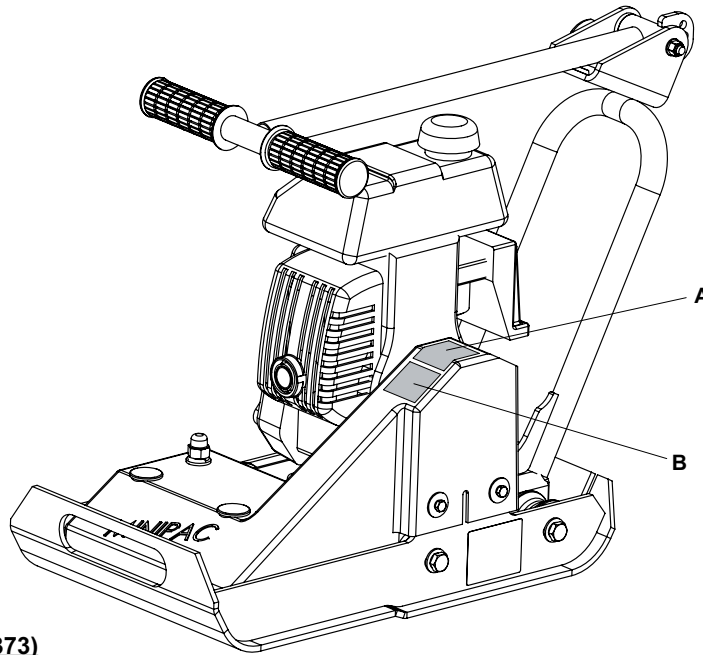
* Minimum level to EN500 Part 4



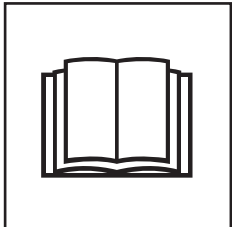


Decals

- A. Safety Decal
- B. Noise Decal



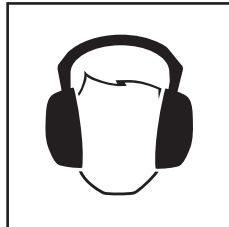
A - Safety Decal (Part No. 19.0.373)



**Please Read
Operators Manual**



**Wear Protective
Footwear**



**Wear Ear
Protection**



**Wear Eye
Protection**

B - Noise Decal (800-99916)

The Noise Level of the machine during operation is 99 dB(A)



Environment

Safe Disposal.



Instructions for the protection of the environment. The machine contains valuable materials. Take the discarded apparatus and accessories to the relevant recycling facilities.

Component	Material
Operator handle	Steel
Hand grip	Rubber
Main frame	Steel
Base plate	Steel
Eccentric weight	Steel
Petrol engine housing	Aluminium
Petrol engine covers	Synthetic material
Various parts	Steel & Aluminium



Reasons For Compaction

Soil, which has been disturbed or new infill, subbase and blacktop, will have small voids or air pockets which, if not compacted, will lead to one or more problems occurring.

1. As traffic crosses the surface of an uncompacted area, the material is compressed. This leads to subsidence of the top surface as the material fills the voids.
2. A similar situation occurs with static loads on uncompacted ground. The load (e.g. a building) will sink.
3. Materials with voids are more susceptible to water seepage, leading to erosion. Water ingress may also cause the soil to expand during freezing temperatures and contract during dry spells. Expansion and contraction is a major cause of damage to building foundations and normally leads to the structure requiring underpinning.

Compaction increases the density of the material and therefore increases its load bearing capacity. Reduces air voids and therefore reduces the risk of subsidence, expansion and contraction, due to ingress of water.

General Safety



For your own personal protection and for the safety of those around you, please read and ensure you fully understand the following safety information. It is the responsibility of the operator to ensure that he/she fully understands how to operate this equipment safely. If you are unsure about the safe and correct use of the 'MPC300' Plate compactor, consult your supervisor or Belle Group.



WARNING

Improper maintenance can be hazardous. Read and Understand this section before you perform any maintenance, service or repairs.

- This equipment is heavy and must not be lifted single-handedly, either GET HELP or use suitable lifting equipment.
- Cordon off the work area and keep members of the public and unauthorized personnel at a safe distance.
- Personal Protective Equipment (PPE) must be worn by the operator whenever this equipment is being used (see Health & Safety).
- Make sure you know how to safely switch this machine OFF before you switch it ON in case you get into difficulty.
- Always switch OFF the engine before transporting, moving it around the site or servicing it.
- During use the engine becomes very hot, allow the engine to cool before touching it. Never leave the engine running and unattended.
- Never remove or tamper with any guards fitted, they are there for your protection. Always check guards for condition and security, if any are damaged or missing, DO NOT USE THE MACHINE until the guard has been replaced or repaired.
- Do not operate the MACHINE when you are ill, feeling tired, or when under the influence of alcohol or drugs.

Fuel Safety.



WARNING

Fuel is flammable. It may cause injury and property damage. Shut down the engine, extinguish all open flames and do not smoke while filling the fuel tank. Always wipe up any spilled fuel.

- Before refuelling, switch off the engine and allow it to cool.
- When refuelling, DO NOT smoke or allow naked flames in the area.
- Spilt fuel must be made safe immediately, using sand. If fuel is spilt on your clothes, change them.
- Store fuel in an approved, purpose made container away from heat and ignition sources.

Health And Safety



Vibration

Some vibration from the compaction operation is transmitted through the handle to the operator's hands. The Belle Group 'Minipac' has been specifically designed to reduce hand/arm vibration levels. Refer to Technical Data section for vibration levels and usage times (recommended maximum daily exposure time). **DO NOT** exceed the maximum usage times.

PPE (Personal Protective Equipment).

Suitable PPE must be worn when using this equipment i.e. Safety Goggles, Gloves, Ear Defenders, Dust Mask and Steel Toe capped footwear (with anti-slip soles for added protection). Wear clothing suitable for the work you are doing. Always protect skin from contact with concrete.

Dust.

The compaction process can produce dust, which may be hazardous to your health. Always wear a mask that is suited to the type of dust being produced.

Fuel.

Do not ingest fuel or inhale fuel vapors and avoid contact with your skin. Wash fuel splashes immediately. If you get fuel in your eyes, irrigate with copious amounts of water and seek medical attention as soon as possible.

Exhaust Fumes.

Do not operate your 'MPC300' indoors or in a confined space, make sure the work area is adequately ventilated.



WARNING

The exhaust fumes produced by this equipment are highly toxic and can kill!

Pre-Start Checks



Pre start-up inspection.

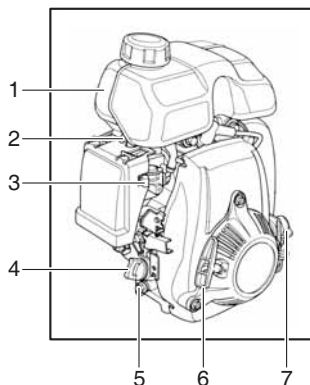
The following Pre-start-up inspection must be performed before the start of each work session or after every four hours of use, whichever is first. Please refer to the service section for detailed guidance. If any fault is discovered, the 'MPC300' must not be used until the fault is rectified.

1. Thoroughly inspect the 'MPC300' for signs of damage. Make sure that the belt guard is secure before using the machine.
2. Check hoses, filler openings, drain plugs and any other areas for signs of leakage. Fix any leaks before operating.
3. Check the engine oil level and top up as necessary.
4. Check the engine fuel level and top up as necessary.
5. Check for fuel and oil leaks.



WARNING

Before you operate or carry out any maintenance on this machine YOU MUST READ and STUDY this manual.



Honda GXH50

1. Fuel Tank,
2. Choke Lever,
3. Fuel ON/OFF Lever,
4. Engine Oil Filler / Dipstick,
5. Engine Oil Drain Plug
6. Recoil Starter Handle,
7. Engine ON/OFF Switch



CAUTION

The optimum engine RPM has been pre-set at the factory; **DO NOT ADJUST THE ENGINE RPM.** Failure to comply may result in damage to the machine or the warranty becoming void.

Stopping the engine

1. Turn the engine ON / OFF switch anti-clockwise to the '0' position.
2. Turn the fuel off.

Starting the engine

1. Open the fuel tap by moving the fuel ON / OFF lever fully to the RIGHT.
2. If starting the engine from cold, move the choke lever to the CLOSED position. To restart a warm engine leave the choke lever in the OPEN position.
3. Turn the engine ON / OFF switch clockwise to the 'I' position.
4. Taking a firm hold of the control handle with one hand, grasp the recoil starter handle with the other. Pull the recoil starter until engine resistance is felt, then let starter return.
6. Taking care not to pull the starter's rope fully out and pull the starter handle briskly.
7. Repeat until the engine fires. NOTE: Once the engine fires it will run on it's preset engine RPM.
8. IF the choke lever was moved to the CLOSED position to the start the engine, gradually move it to the OPEN position as the engine warms up.
9. If the engine fails to fire after several attempts, follow the trouble-shooting guide.

- **Take the 'MPC300' to where it is required.**

NEVER leave the engine running whilst moving or transporting the 'MPC300', even if it is only a short distance.

- **Having carried out the checks listed in the 'pre start' section, you may start the engine.**

- NOTE:- Once the machine has been started, the 'MPC300' should start vibrating and therefore the machine will also move in a forward direction. Always check the machine for any unusual noises. If any of these occur, stop the machine immediately and refer to the troubleshooting section.

- **Use the control handle to steer or turn the 'MPC300'.**

- The vibrator will not only cause the baseplate to vibrate but will also cause the machine to travel forward. During normal operation you should not have to push the 'MPC300' but allow it to travel at its own pace.

- The speed of travel will be determined by the condition of the surface being compacted.

- If the surface to be compacted is on a slope, great care must be taken when controlling the 'MPC300' direction of travel. Work up and down a slope not across.

- **Work the 'MPC300' over the surface in an organised pattern until the required compaction has been achieved.**

- Where there are a number of different layers to be compacted on top of each other, compact each layer individually.

Maintenance

The Belle Group 'MPC300' is designed to give many years of trouble free operation. It is recommended that an approved Belle Group dealer carries out all major maintenance and repairs. Always use genuine Belle Group replacement parts, the use of spurious parts may void your warranty.

Before any maintenance is carried out on the machine, switch off the engine and disconnect the HT lead from the sparkplug.

Always set the 'MPC300' on level ground to ensure any fluid levels will be correctly read. Only use recommended oils (see chart on following page).

Running In Period

When the 'MPC300' is first used from new, the engine oil must be changed after the initial running in period (see engine manual for full detail). The belt tension should be checked after 4 hours use. If new belts have been fitted, the belt tension should be checked after 30 minutes.

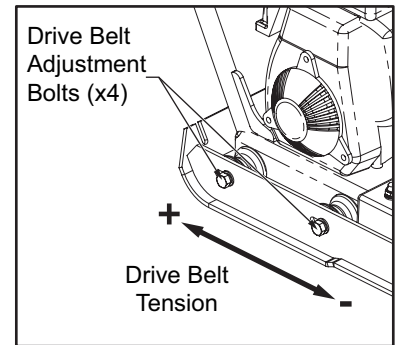
Routine Maintenance		After first 4 hours	First month / 20h	3 months / 50h	6 months / 100h
Engine Oil	Check Level	✓			
	Change		✓		✓
Air Filter	Check Condition		✓		✓
	Clean / Replace			✓	
Spark Plug	Check / Clean				✓
Drive Belt	Tension	✓	✓	✓	

Drive Belt

Remove the belt guard and check the belt tension by placing light finger pressure on the top of the belt, as near central between the engine drive and driven pulley. The belt should deflect by approximately 5mm.

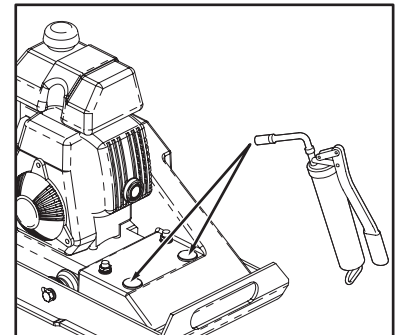
If the belt tension requires adjustment, loosen the four drive belt adjustment bolts enough to allow the engine to be moved. Adjust the engine's position by sliding the engine assembly forwards or backwards on the baseplate. Once set, retighten the drive belt adjustment bolts and re-check the belt tension.

Check the pulley alignment. If the alignment is incorrect, loosen the taperlock bushes and move the pulley to suit. Once the pulley is aligned, retighten the taperlock bushes. Replace the belt guard ensuring it is correctly and securely fitted.



Vibrator Unit.

Remove the access plugs (x2) from the belt guard. Top up as necessary with the suitable grease.



Oil / Fuel Type & Quantity - Spark Plug Type

	Oil type	Quantity (Litre)	Fuel Type	Capacity (Litre)	Spark Plug Type	Electrode Gap (mm)
Petrol Honda GXH50	S.A.E. 10W 30	0.25	Unleaded	1.2	BM4a or BmR4a	0.6 - 0.7



Troubleshooting Guide

Problem	Cause	Remedy
Engine will not start.	No fuel.	Open fuel tap. Fill fuel tank
	Engine switched off.	Switch engine on.
	Spark plug fouled.	Clean and reset plug gap.
	Engine cold.	Close choke.
	Engine flooded.	Open choke, fully open throttle, pull recoil starter until engine fires.
Engine still will not start	Major Fault.	Contact Agent or Belle Group.
Unit will not vibrate.	Belt tension incorrect.	Adjust belt tension
	Air filter blocked.	Clean or renew air filter.
	Excentric shaft damaged /	Replace excentric shaft Broken
Paving blocks damaged.	Plate in direct contact with material.	Use a paving pad.
Bituminous surface flaking (laminating).	Over compaction.	Remove and relay.
Low travel speed (plate sinking).	Layer thickness too deep.	Remove some of the material.
	Moisture content too high or too low.	Remove material and adjust.



Warranty

Your new Belle Group 'MPC 300' single direction plate compactor is warranted to the original purchaser for a period of one-year (12 months) from the original date of purchase.

The Belle Group warranty is against defects in design, materials and workmanship.

The following are not covered under the Belle Group warranty:

1. Damage caused by abuse, misuse, dropping or other similar damage caused by or as a result of failure to follow assembly, operation or user maintenance instructions.
2. Alterations, additions or repairs carried out by persons other than Belle Group or their recognised agents.
3. Transportation or shipment costs to and from Belle Group or their recognised agents, for repair or assessment against a warranty claim, on any machine.
4. Materials and/or labour costs to renew, repair or replace components due to fair wear and tear.

The following components are not covered by warranty.

- Drivebelt/s
- Engine air filter
- Engine spark plug

Belle Group and/or their recognised agents, directors, employees or insurers will not be held liable for consequential or other damages, losses or expenses in connection with or by reason of or the inability to use the machine for any purpose.

Warranty Claims

All warranty claims should firstly be directed to Belle Group, either by telephone, by Fax, by Email, or in writing.

For warranty claims:

Tel: +44 (0)1538 380000 Fax: +44 (0)1538 380038

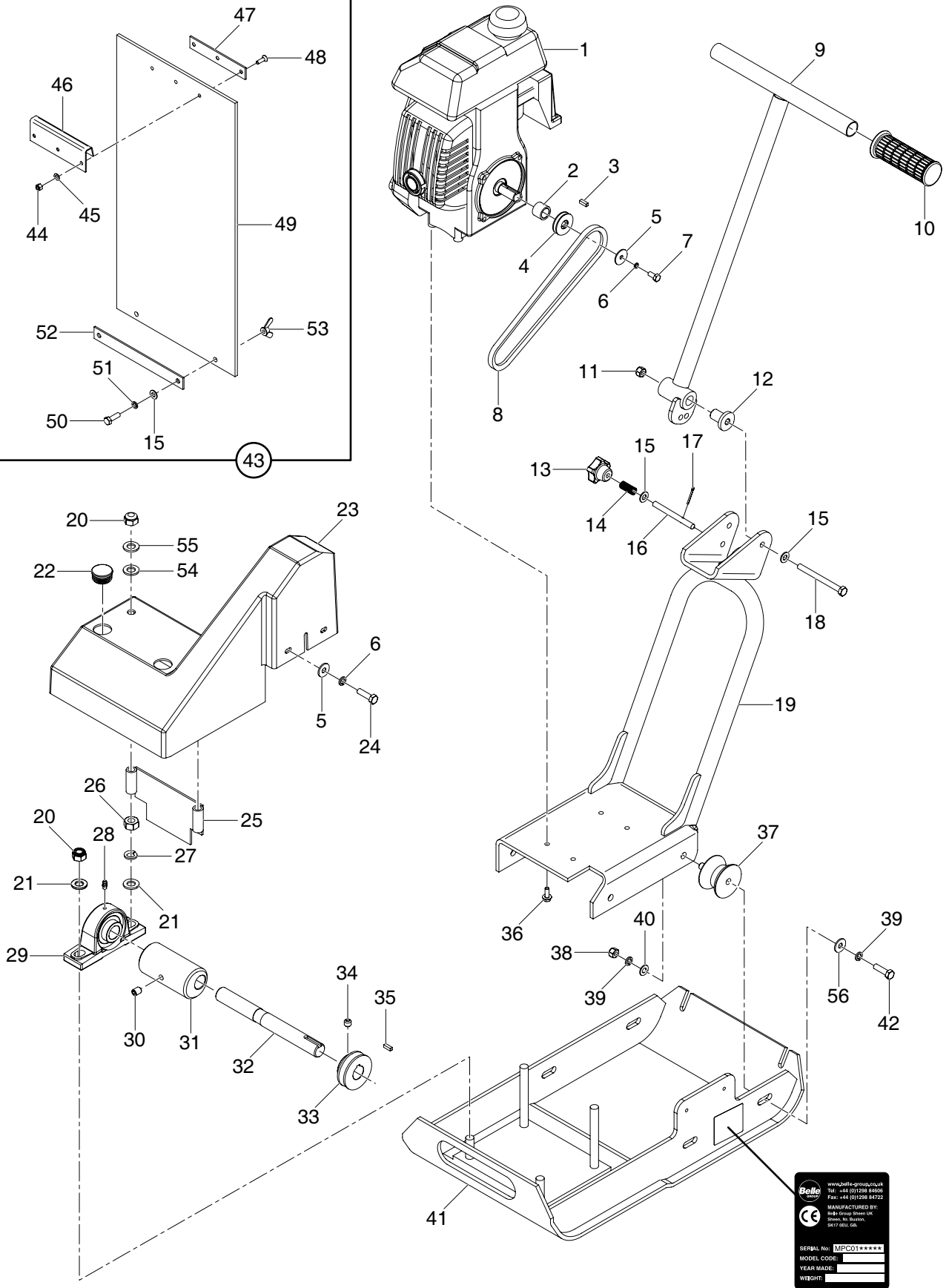
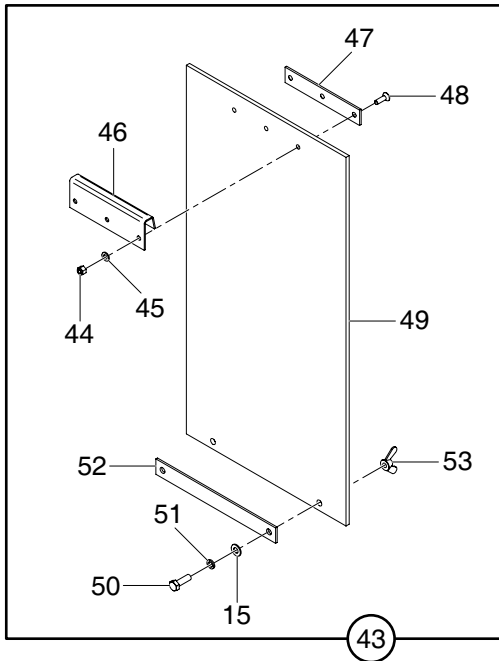
Email : Warranty@belle-group.co.uk

Write to:

Belle Group Warranty Department,
Unit 5, Bode Business Park,
Ball Haye Green,
Leek,
Staffordshire ST13 6BW
England.



MPC 300



Bolton
www.boltonpower.com
Tel: +44 (0)1228 81885
Fax: +44 (0)1228 84752
CE
MANUFACTURED BY:
B&B Power Systems Ltd
Sheff, R. Sutton,
S17 9JL, UK
SERIAL No: MPC01*****
MODEL CODE:
YEAR MADE:
WEIGHT:

MPC 300

ITEM NUMBER ⁽¹⁾	PART NUMBER ⁽²⁾	DESCRIPTION ⁽³⁾
1	20-0031	ENGINE (HONDA GXH50)
2	900-99933	SPACER
3	900-99902	KEY
4	941-99902	ENGINE PULLEY
5	4-6009	WASHER (M6 X 25 O/D)
6	4-6011	WASHER (1/4 SPRING)
7	7-6035	SET SCREW (1/4" UNF X 5/8")
8	11.0.085	DRIVE BELT
9	941-10200	HANDLE
10	19.0.708	HANDLE GRIP
11	8-8008	NUT (M8 NYLOC)
12	148045	HANDLE BUSH
13	19.0.778	KNOB
14	2-0041	SPRING
15	4-8006	WASHER (M8)
16	941-99903	LOCKING BAR
17	3-0016	SPLIT PIN (3/32" X 3/4")
18	9-8016	BOLT (M8 X 90)
19	941-10100	BED PLATE
20	8-12009	NUT (M12 DOME)(From Serial No. 00099)
21	4-1204	WASHER (M12)
22	3-4026	PLUG
23	941-99904	GUARD (From Serial No. 00099)
24	9-6001	SET SCREW (M6 X 16)
25	941-10300	GUARD SPACER
26	8-12002	NUT (M12)
27	4-1202	WASHER (M12 SPRING)
28	500-06100	GREASE NIPPLE (M6)
29	12.0.022	BEARING
30	03.3.001	GRUB SCREW (3/8" UNF)
31	148062	ECCENTRIC WEIGHT
32	148061	VIBRATOR SHAFT
33	941-99901	VIBRATOR PULLEY
34	7-6029	GRUB SCREW (M6 X 6)
35	06.8.028	KEY
36	7-6034	SET SCREW (M6 X 16 FLANGED)
37	21.0.292	AV MOUNT
38	8-10003	NUT (M10)
39	4-1003	WASHER (M10 SPRING)
40	4-1005	WASHER (M10 FORM A)
41	941-10000	BASEPLATE
42	7-10004	SCREW (M10 X 20)
43	MP03	PAVING PAD KIT
44	8-6007	NUT (M6 NYLOC)
45	4-6001	WASHER (M6)
46	148085	CLAMP
47	148087	BACKING PLATE
48	07.0.121	SCREW (M6 X 20 C'SK)
49	148084	PAVING PAD
50	7-8012	SET SCREW (M8 X 25)
51	4-8003	WASHER (M8 SPRING)
52	148086	CLAMPING PLATE
53	8-8012	NUT (M8 WING)
54	4-1204	WASHER (M12 (FORM A)) (From Serial No. 00099)
55	4-1202	WASHER (M12 SPRING) (From Serial No. 00099)
56	4-1004	WASHER (M10 FORM C)

(1) Item Number / numéro sur le schéma / número de la ilustración / número da ilustração / afbeeldingsnummer / tegningsnummeret / Teil-Nummer / numero dell'illustrazione

(2) Part Number / Numéro de référence de la pièce / número de pieza / número da parte / stuknummer / Styknummer / Nummer auf der Abbildung / numero di parte

(3) Description / Désignation / Descripción / Descrição / Omschrijving / Beskrivelse / Bezeichnung / Descrizione



No.1 for Light Construction Equipment

www.BelleGroup.com

Belle Group Head Office
Sheen, nr. Buxton
Derbyshire. SK17 OEU GB.
Tel: +44 (0)1298 84000
Fax: +44 (0)1298 84722
email: sales@belle-group.co.uk

Belle Group France
70, av du Général de Gaulle
94022 Creteil, Cedex.
FRANCE
Tel: +33 (0) 1 49 81 68 32
Fax: +33 (0) 1 43 39 94 40
Ventes : 0800 902 461
SAV : 0800 905 336
SAV Fax : 0800 909 895

Belle Equipos SL
Calle Doctor Calero Cial 19,
Local 22, 28220 Majadahonda
Madrid, Spain
Tel: +34 (0) 91 636 2043
Fax: +34 (0) 91 634 1535
email: belleequipos@belleequipos.com

Belle Group Deutschland
Husumer Straße 45 a,
D-33729,
Bielefeld
Deutschland
Tel : +49(0) 5217 707505
Fax : +49 (0) 5217 707506
Sales: 0800 1808069
Spares: 0800 1816673

Belle Poland sp. z.o.o.
96-200 Rawa Mazowiecka
Ul. Mszczonowska 36,
Polska
Tel: +48 (0) 46 8144091
Fax: +48 (0) 46 8144700

Belle Group Portugal
Rua Laura Alves, 225, 2° F
2775-116 Parede
Portugal
Tel: +35 1 (21) 453 59 91
Fax: +35 1 (21) 453 59 91

Belle Group Netherlands
Tel: 0800 249861

Belle Group Belgium
Tel: 0800 80295

Belle Group Austria
Tel: 0800 291544

Belle Group Russia
64 Nevsky pr.
St, Petersburg
Russia
Tel : +7(812)314-81-34
Moscow : +7(495)589-64-32

Belle Group South East Asia
21, Jalan Ara AD 7/3B,
Pandar Sri Damansara
S2200 Kuala Lumpur, Malaysia
Tel: +60 (0) 3 62721678
+60 (0) 3 6272 9308
Fax: +60 (0) 3 6272 9528

Belle Group (GB), Shanghai Office
Room 213, Zhonghuang Building,
1007 Zhongshan Nan Er Road,
Xuhui, Shanghai 200030 China
Tel: 00 - 86 - 21 - 5461 5228
Mobile: 00 - 86 - 133 8172 2653
Fax: 00 - 86 - 21 - 5461 5369
email: morgan.liu@bellegroup.com.cn

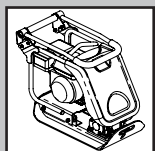
Belle Group Inc
3959 Electric Rd
Roanoke
Suite 360
VA 24018. USA.
Tel: +1.540.345.5090
Fax: +1.540.345.5091
Toll free 866 540 5090
e-mail: sales@bellegroup.net



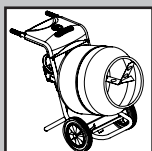
Belle Group World Parts Centre
Unit 5, Bode Business Park
Ball Haye Green,
Leek,
Staffordshire,
ST13 8BW
Tel: 44+ 1538 380000
Fax: 44+ 1538 380038

www.BelleGroup.com

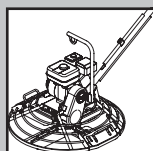
No.1 for Light Construction Equipment



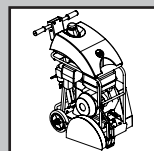
COMPACTING...



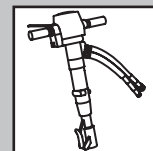
MIXING...



CONCRETING...



CUTTING...



BREAKING...



MOVING