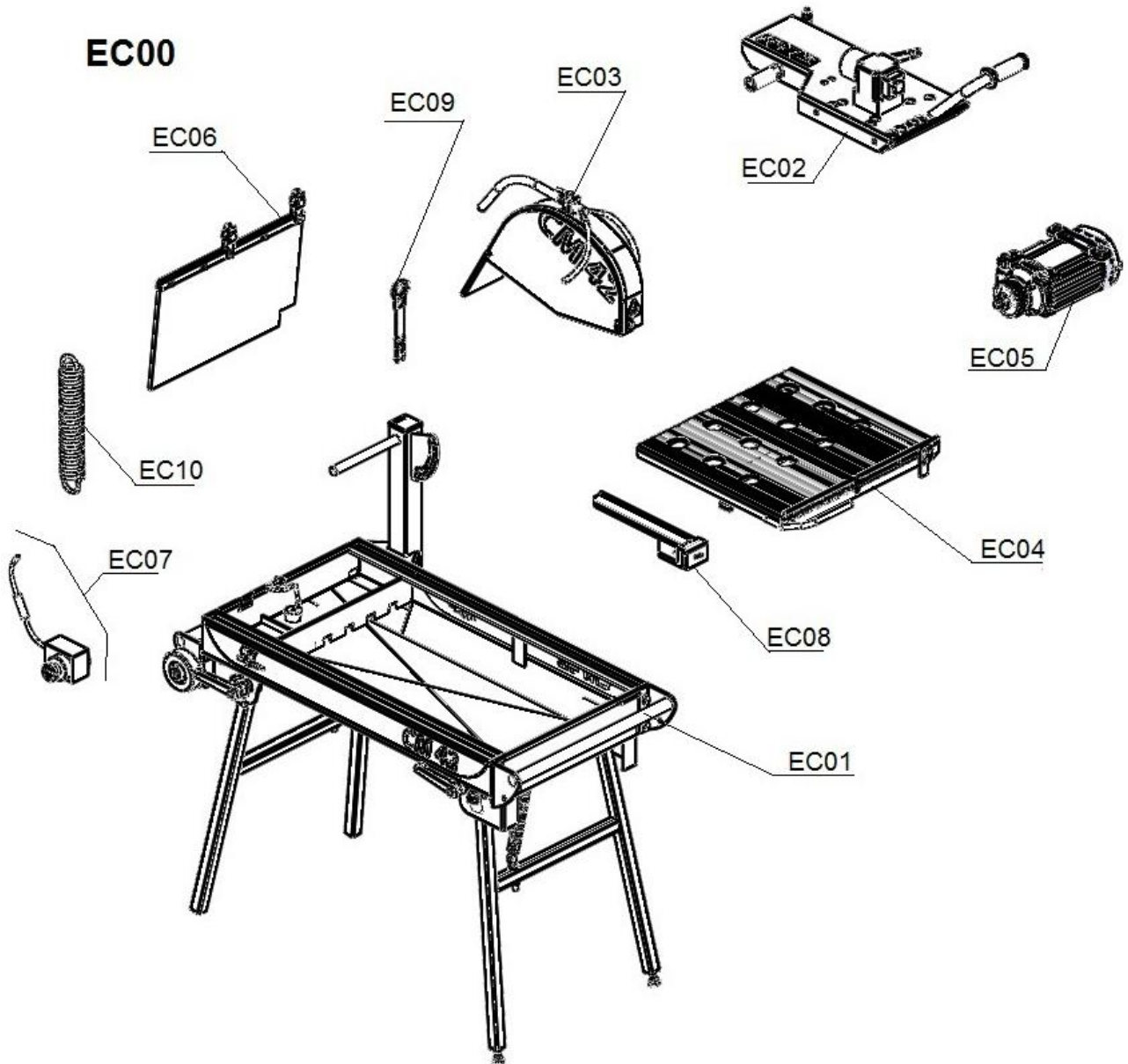


CM 42

SPARE PART LIST

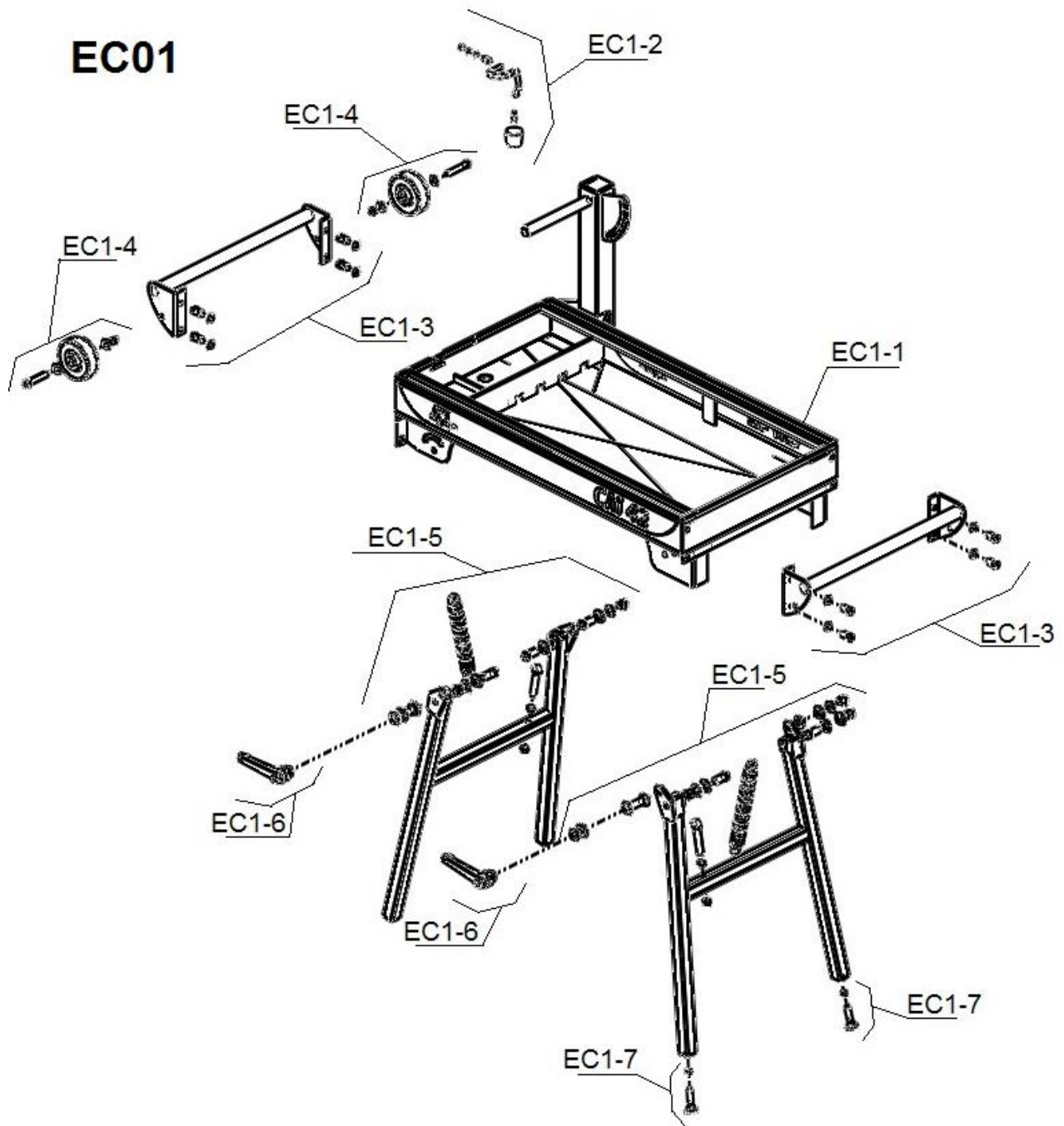


EXPLODED / POS.	DESCRIPTION	ITEM NUMBER	TYPE (*)	QTY
EC0-1	See exploded view EC1			
EC0-2	See exploded view EC2			
EC0-3	Blade guard assy.	00310438638	S	1
	SCREW DIN 933 – M10x25		NSA	1
	WASHER DIN125 - A10.5		NSA	3
	SCREW DIN EN24017 - M10x35		NSA	1
	NUT DIN 985 - M10		NSA	2
	SCREW DIN EN24017 – M8X20		NSA	2
	WASCHER DIN 125 - Ø8,4		NSA	2
	WASCHER DIN 127 – A8		NSA	2
EC0-4	Trolley assy.	00310438739	S	1
	Tilting table assy, (option)	00510109260		
	SCREW DIN 933 – M8X25		NSA	2
EC0-5	Electric motor 220V	00310047701	W	1
	SCREW DIN 933 - M8X30		NSA	4
	WASCHER DIN 125 - Ø8,4		NSA	8
	NUT DIN 985 - M8		NSA	4
EC0-6	Splash guard assy.	00310438738	W	1
	SCREW DIN 933 – M6X20		NSA	3
	WASCHER DIN 125 - Ø6,3		NSA	6
	NUT DIN 985 - M6		NSA	3
	SCREW DIN 933 – M4X16		NSA	4
	WASCHER DIN 125 - Ø4		NSA	8
	NUT DIN 985 - M4		NSA	4
EC0-7	Water pump assy. 220V	00310446803	W	1
EC0-8	Angular guide a cut	00310064856	S	1
EC0-9	Multiple wrench	00510105548	S	1
EC0-10	Spring	00310004305	S	1



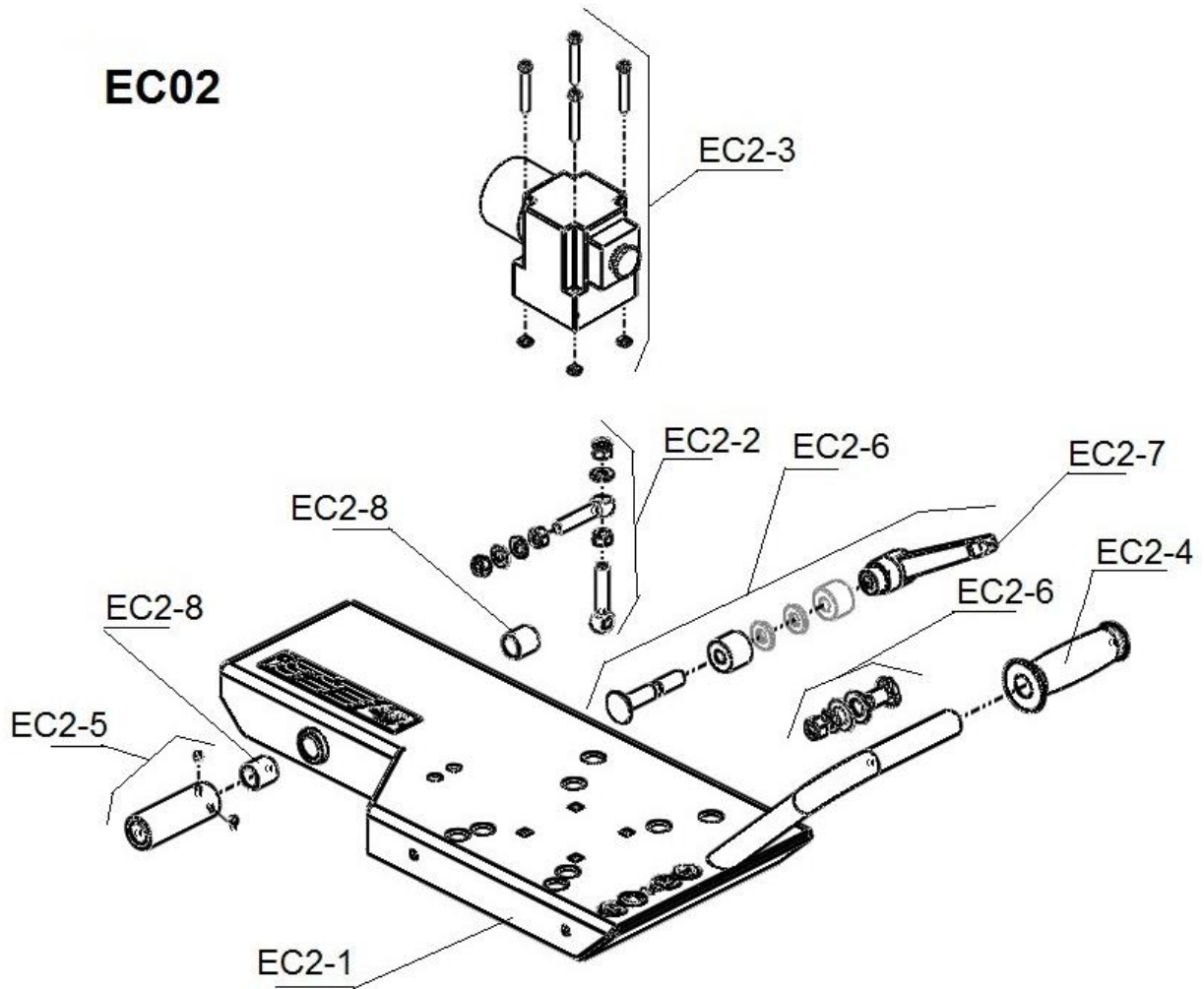
EXPLODED / POS.	DESCRIPTION	ITEM NUMBER	TYPE (*)	QTY
EC1-1	Frame	NA	S	1
EC1-2	Cap assy.	00310005257	S	1
	SCREW DIN7976 - ST5,5x22		NSA	1
	SCREW DIN EN24017 - M6x20		NSA	1
	WASHER DIN125 - A6,4		NSA	2
	NUT DIN934 - M6		NSA	1
EC1-3	Handle assy.	00310438665	S	1
	SCREW DIN 933 – M10X25		NSA	4
	WASCHER DIN 125 – A10.5		NSA	4
EC1-4	Transport wheels (set of 2)	00510103095	S	1
	SCREW DIN 912 - M8x60		NSA	2
	WASHER DIN 9020 - Ø8,4		NSA	4
	NUT DIN 985 - M8		NSA	2
EC1-5	Feet assy.	00310438736	S	1
	SCREW DIN 8677 - M12X35		NSA	2
	WASHER DIN 125 - A13		NSA	10
	NUT DIN 985 - M12		NSA	6
	SCREW DIN 933 – M12X70		NSA	4
	WASHER DIN 125 - A17		NSA	4
	SCREW DIN 444 - M10x60		NSA	2
	WASHER DIN 125 - A10,5		NSA	4
	NUT DIN 934 - M10		NSA	2
	NUT DIN 985 - M10		NSA	2
	PLASTIC WASHER DIN 125 – A13		NSA	4
EC1-6	Adjustable handle M12 (set of 2)	00510105561	S	1
EC1-7	adjustable feet (set of 2)	00510105560	S	1

EC01



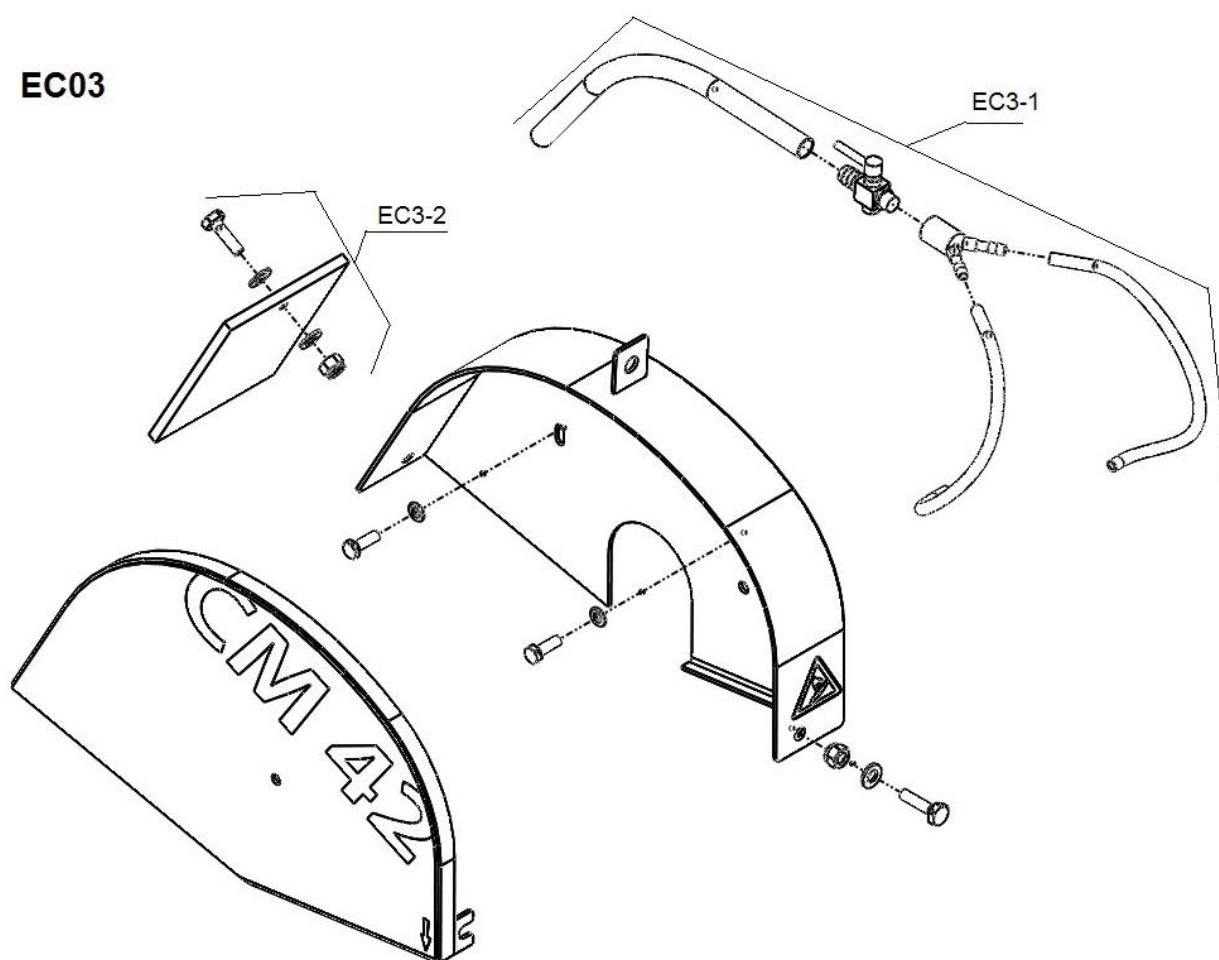
EXPLODED / POS.	DESCRIPTION	ITEM NUMBER	TYPE (*)	QTY
EC2-1	Cutting head assy.	00310438637	S	1
EC2-2	Adjustment of tension of the spring	00510109121	S	1
	SCREW DIN 444 – M10x60		NSA	2
	NUT DIN 985 – M10		NSA	2
	WASHER DIN 125 – A10.5		NSA	4
	NUT DIN 934 – M10		NSA	2
EC2-3	Switch assy.	00310005263	S	1
	SCREW DIN 933 – M4X50		NSA	4
	WASHER DIN 125 - A4,3		NSA	4
EC2-4	Handle	00310004190	S	1
EC2-5	Curtain support assy.	00510105562	W	1
	SCREW DIN 916 – M6x6		NSA	2
EC2-6	Locking head	00510109122	W	1
	SCREW DIN 603 – M12x25		NSA	1
	WASHER DIN 125 – A17		NSA	1
	WASHER DIN 125 – A13		NSA	1
	WASHER DIN 127 – A12		NSA	1
	NUT DIN 934 - M12		NSA	1
	SCREW DIN 603 – M12x80		NSA	1
EC2-7	Adjustable handle M12	00510105561	S	1
EC2-8	Self lubricating ring (set of 2)	00310005129	S	1

EC02

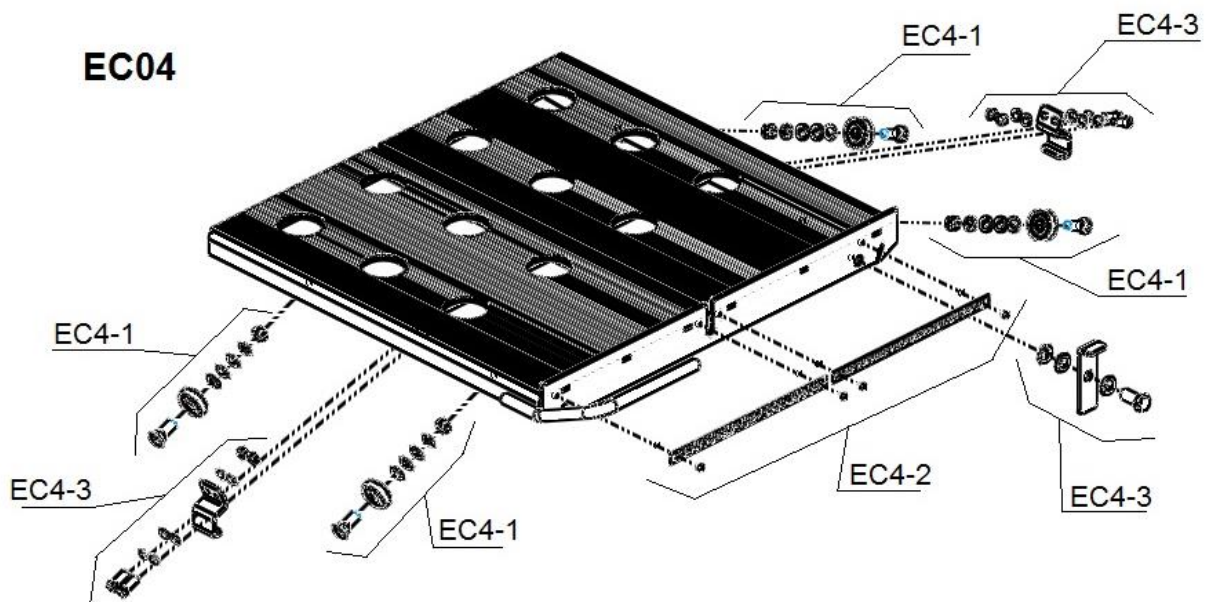


EXPLODED / POS.	DESCRIPTION	ITEM NUMBER	TYPE (*)	QTY
EC3-1	Watering system assy.	00510104923	W	1
EC3-2	Curtain protection CM42	00510105690	W	1
	SCREW DIN 933 – M10x30		NSA	1
	WASHER DIN 125 – A10.5		NSA	2
	NUT DIN 985 – M10		NSA	1

EC03

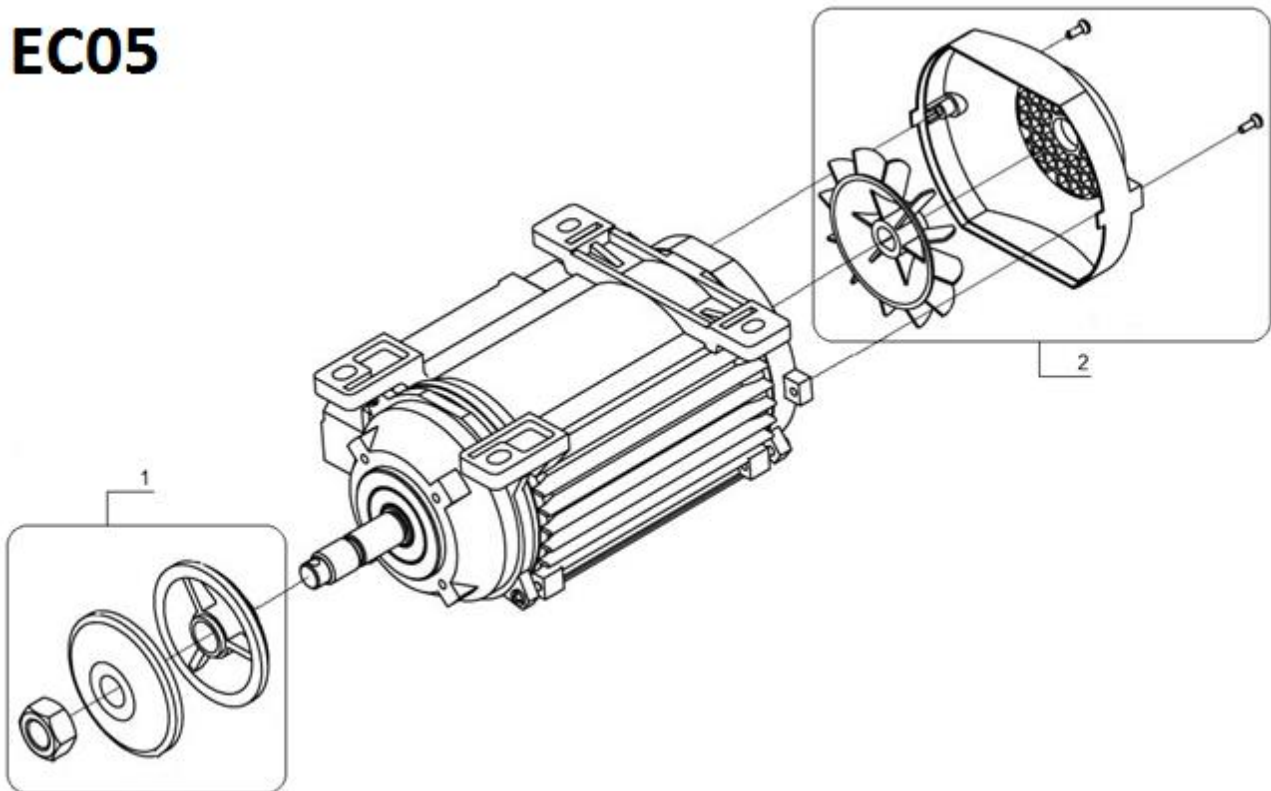


EXPLODED / POS.	DESCRIPTION	ITEM NUMBER	TYPE (*)	QTY
EC4-1	Trolley wheels (set of 4)	00310004676	W	1
	SCREW DIN 84 – M8X25		NSA	4
	WASCHER DIN 125 - Ø8,4		NSA	12
	WASCHER DIN 127 - W8		NSA	4
	NUT DIN 934 - M8		NSA	4
EC4-2	Scale	00510106295	W	1
EC4-3	Locking Kit	00510109123	S	1
	SCREW DIN 933 – M6X16		NSA	4
	WASHER DIN 125 – Ø6,4		NSA	8
	WASHER DIN 127 – W6		NSA	4
	NUT DIN 934 – M6		NSA	4
	SCREW DIN 933 – M10X25		NSA	1
	WASHER DIN 125 – Ø10,5		NSA	3



ECLATE / POS.	DESCRIPTION	N° ARTICLE	Type (*)	QTE
EC 05 / 1	Flanges + Nut kit 230V	510103114	S	1
EC 05 / 2	Airscrew + cover of ventilator 230V	510111431	S	1
	SCREW DIN 7985H – M5X30	NA	H	2

EC05



(*): S = Spare part, W = Wear part

NSA = Not supplied alone / this component is a component standard which you can easily find at all the standard retailers of parts. All the standard components of assembly have a quality grade 8.8. We recommend to don't use a quality grade lower than 8.8.

Wear parts are worn out through normal use of the machine. The use period depends a lot on the intensity of work of the machine.

Wear parts must be serviced, used and eventually changed following the indications of the manufacturer.

Any wear due to normal use of the machine will not be considered as a case of warranty. Genuine CLIPPER replacement parts should always be used.

www.construction.norton.eu

Saint-Gobain Abrasives

190, Bd. J. F. Kennedy
L-4930 BASCHARAGE
LUXEMBOURG

Tel: ++352 50401-1

Fax: ++352 501633

e-mail: sales.nlx@saint-gobain.com